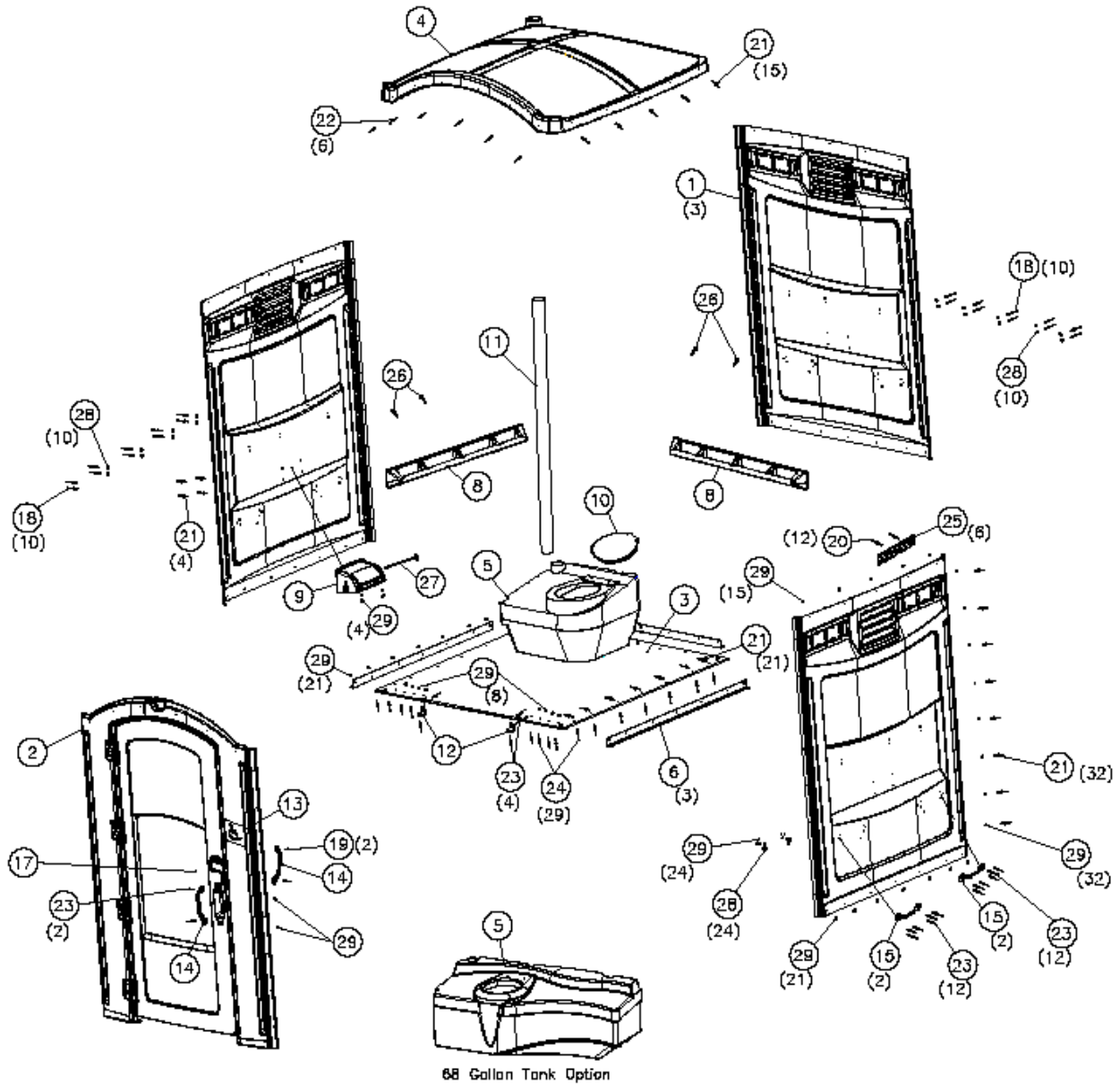


LIBERTY™ MAJOR ASSEMBLY



LIBERTY™ COLOR CHART

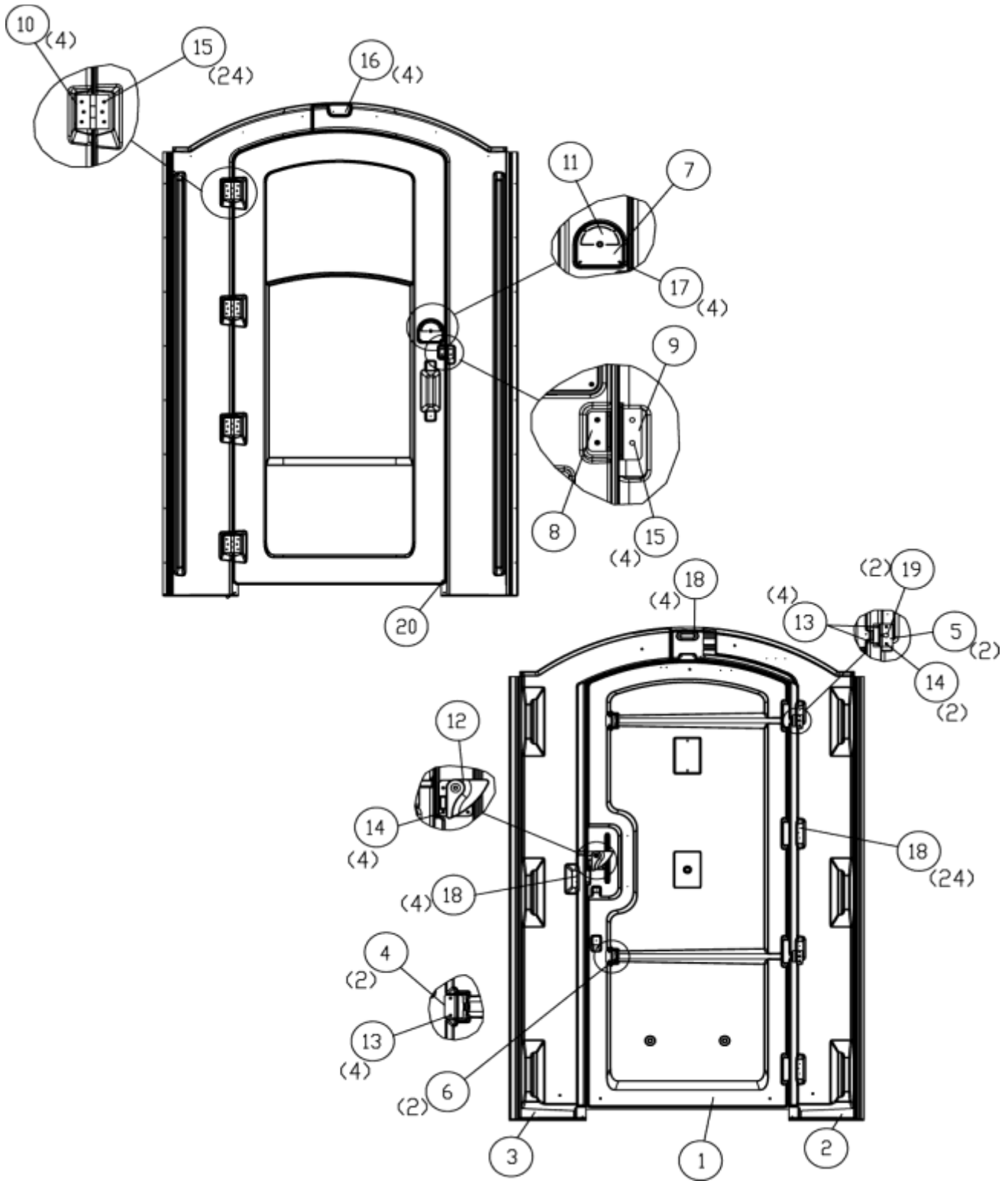
	TEAL	ROYAL BLUE	SAND	FOREST GREEN	GREY
FRONT PART# (NO LATCH)	18013	18014	18015	18012	18220
PANEL PARTS	18033	18034	18035	18032	18219

Visa / Mastercard / American Express / Discover
 \$25.00 Minimum Order — Prices and quantities subject to change / all prices are FOB FACTORY — Priced in U.S. Dollars
 20% minimum restocking charge applies on returns

LIBERTY™ MAJOR ASSEMBLY

REV D ITEM #	PART#	QTY PER UNIT	DESCRIPTION	PRICE EACH
1	SEE CHART	3	LIBERTY SIDE PANEL	
2	SEE CHART	1	LIBERTY FRONT ASSY (NO LATCH)	
3	18037	1	FLOOR- LIBERTY	
4	18036	1	ROOF- LIBERTY	
	18091	1	HDWE/PARTS PKG- LIBERTY	
5	14508	1	TANK- FRE/LIB 35-GAL CAPACITY	
	16538	1	TANK- FRE/LIB LARGE DGRY	
6	18039	3	ANGLE- PLSTC LIBERTY	
8	21291	2	HANDRAIL- LIB/FRDM3 PLASTIC	
	18040	1	HDWE- LIBERTY	
9	17082	1	HOOD- PAPERGUARD II GREY	
	16928	1	KIT- PAPERGRD 2 ROLL PUSH CAP	
	16845	1	KIT- PAPERGRD 2 ROLL POP RIVET	
	19116	1	KIT- PAPERGRD 3 ROLL PUSH CAP	
	19114	1	KIT- PAPERGRD 3 ROLL POP RVT	
	19408	1	KIT- PAPERGRD 4 ROLL VERTICALS	
10	10570	1	SEAT- TOILET BLACK (INCLUDES HARDWARE - 10 PER CASE)	
	19196	1	KIT- T/SEAT 2-1/2 BOLT/NUT SET	
11	13796	1	VENT PIPE- 3 X 65-1/2 BLACK	
12	16175	2	BRACKET- L 1in STNLS	
13	14401	1	DECAL- WHEELCHAIR ACCESSIBLE	
14	16807	2	HANDLE- PLASTIC HOVER	
15	14611	4	HANDLE- RESTROOM LIFT	
16	18041	1	INSTRUCTIONS LIBERTY	
17	10161	1	PLUG- ½ INDICATOR BLACK PLST	
18*	18755	20	RIVET- AVDEL SILVER LONG	
19*	17030	2	RIVET- AVDEL BLACK	
20*	15337	12	RIVET- .195in PLASTIC EXPANDNG	
21*	11054	72	RIVET- #68 AAL POP	
22*	14427	6	RIVET- #66 LSH W/LOCK MANDREL	
23*	11270	28	RIVET- #68 STNLS	
24	14351	29	RIVET- #610 CCP	
25*	14112	6	SCREEN- 3.8 X 15.25 PLSTC VENT	
26	13860	4	SCREW- #14 X 1-1/2 W/WSH GOLD	
27*	16844	1	SPINDLE- PAPERGUARD II	
28	11361	44	WASHER- 3/16 ID FENDER	
29	11315	127	WASHER- 3/16 RIVET STNLS	
	12642	1	SPINDLE- PAPERGRD 2 ROLL WOOD	
	22310	1	SPINDLE- PRGRD II 3 ROLL METAL	
	18696	1	SPINDLE- PAPERGRD 3 ROLL WOOD	
	20923	1	KIT- LIBERTY FRONT SUPPORT	
	21703	4	KIT- LIBERTY PANEL STIFFEN BAR	

LIBERTY™ FRONT ASSEMBLY



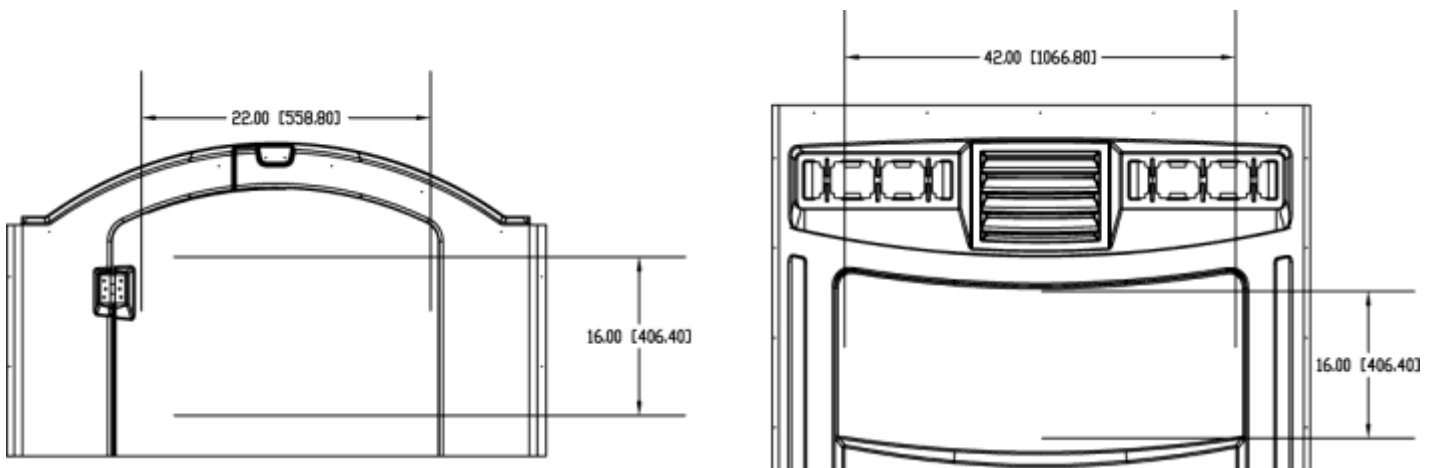
Visa / Mastercard / American Express / Discover
 \$25.00 Minimum Order — Prices and quantities subject to change / all prices are FOB FACTORY — Priced in U.S. Dollars
 20% minimum restocking charge applies on returns

LIBERTY™ FRONT ASSEMBLY

REV H ITEM #	PART#	QTY PER UNIT	DESCRIPTION	PRICE EACH
1		1	LIBERTY DOOR	NOT SALEABLE
2		1	LIBERTY HINGE FACING	NOT SALEABLE
3		1	LIBERTY HASP FACING	NOT SALEABLE
4	10511	2	BRACKET- SPRING ANCHOR TUFWAY	
5	14770	2	BRACKET- MAXIM CABLE ANCHOR	
6	18054	2	CLOSURE ASSY- LIBERTY DOOR	
7	13415	1	COVER- INDICATOR BLACK	
8	13197	1	HASP- 3/16 RIVET HOLE DOOR	
9	13199	1	HASP- 3/16 RIVET HOLE FACING	
10	15708	4	HINGE- DOOR STNLS HEAVY NARROW	
11	15630	1	INDICATOR- UNIVERSAL	
12	14767	1	LATCH- RESTROOM PLASTIC	
13*	12393	8	RIVET- #64 AAP POP	
14*	17436	6	RIVET- AVDEL SILVER	
15*	11270	28	RIVET- #68 STNLS	
16*	11024	4	RIVET- #610 AAP	
17*	10804	4	SCREW- #8 X 3/4 PHPN TAP	
18*	11315	32	WASHER- 3/16 RIVET STNLS	
19*	14803	2	PLUG- 3/8 HOLE	
20*	18098	1	SCREW- #10 X 2 PN PH TAP	
	14198	1	KIT- LATCH & INDICATOR (TUFWAY- MAXIM 2000 & LIBERTY)	
	15391	1	KIT- PLASTIC DOOR LATCH (TUFWAY- MAXIM 2000 & LIBERTY)	
	13726	1	KIT- UNIVERSAL INDICATOR (TUFWAY- MAXIM 2000 & LIBERTY)	

* ONLY SOLD IN MULTIPLES OF 100

LIBERTY™ LOGO AREA



Consult your Area Manager at:
 Tel: 1-800-883-1123 (US & Canada) Fax: 1-800-328-3334 (US & Canada) Español: 1-877-452-1187
 Website: www.satelliteindustries.com