

# INSTRUCTIONS

## High Tech II Upgrade / Flush Unit Assembly

The following instruction is a guideline, illustrating suggested methods, assembly sequence, and tool selection. Actual assembly may vary by each situation. Careful thought must be given to minimize total body movement.

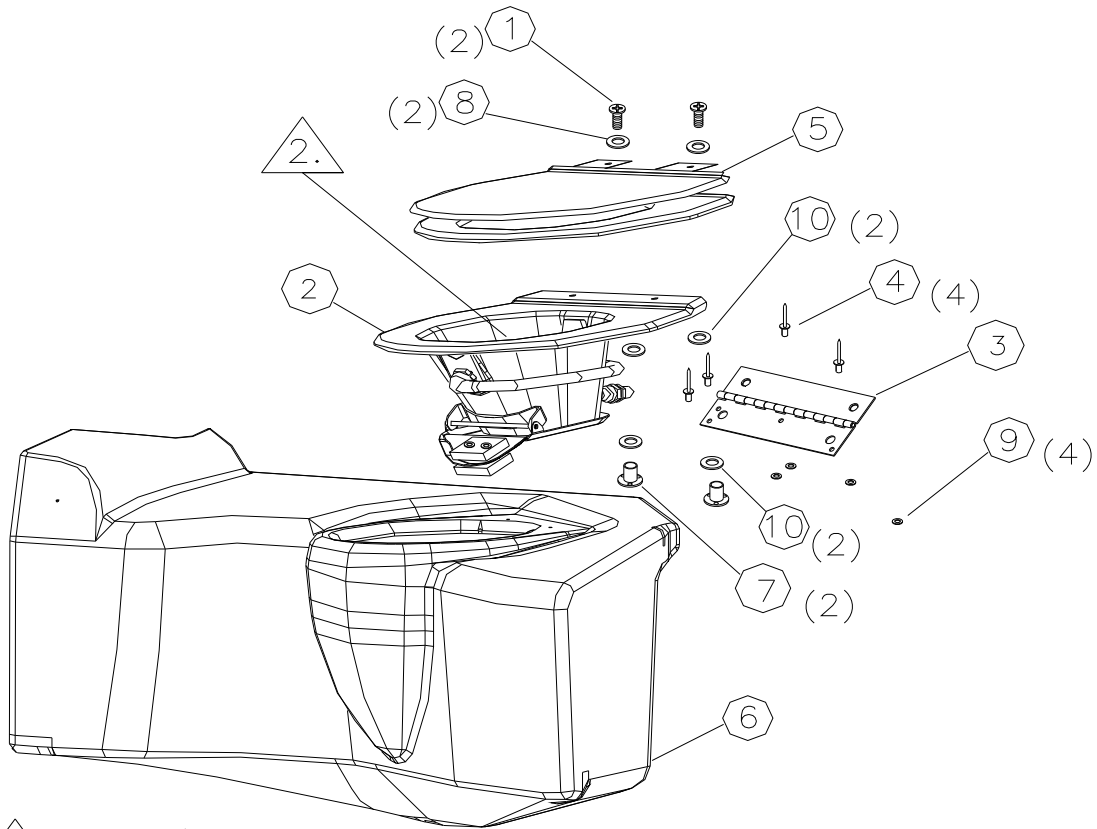
<b>Tool Selection</b>			
<b>QTY</b>	<b>Description</b>	<b>QTY</b>	<b>Description</b>
1	Flat blade screw driver	1	1-3/4" hole saw
1	#10 Drill Bit	1	Electric / Cordless Drill
1	Rivet Gun	1	# 2 Phillips Driver bit
1	Small tip marker	1	5/16" Hex nut driver
1	7/16" Drill Bit	1	7/16" Wrench

1. Read all instructions carefully before starting assembly. All orientation and descriptions are facing the front of completed unit.
2. Open kit bags and sort items into small piles. Ensure all unit components and fasteners are present before starting to assemble unit.
3. To assure proper alignment, the front, walls and base must be assembled in said sequence.
4. Assembly of other components may vary to suit the situation; however careful thought must be given to minimize total body movement.



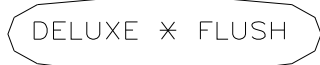



2530 Xenium Lane North, Minneapolis, MN 55441  
Telephone: 763-553-1900 / Fax: 763-553-1905  
800-328-3332/ [www.satelliteindustries.com](http://www.satelliteindustries.com)

## UPGRADE / FLUSHING DRAWING



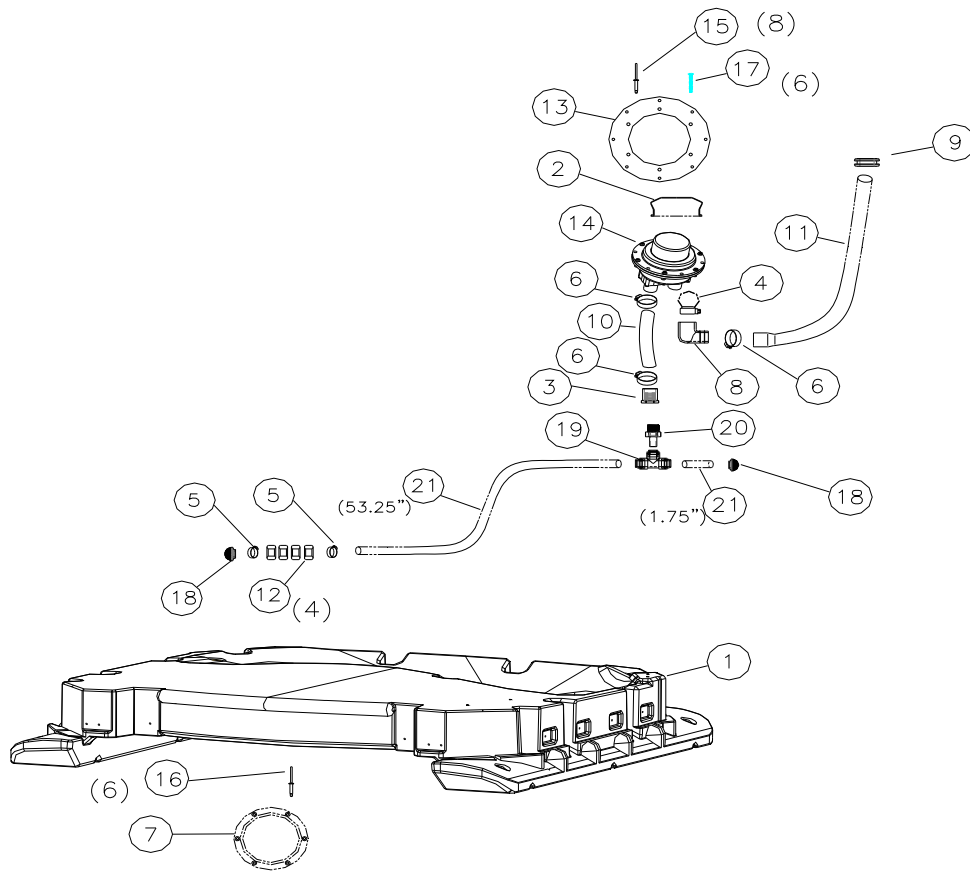
△. HARDWARE KIT:

11	12	13	14
			
14	13	12	11
19260	18971	19259	19386
1	1	1	1
DECAL-- TOILET PAPER ONLY			
DECAL-- HT2 ICON			
DECAL-- HT2 FLUSH INSTRUCTION			
CLAMP, WORMDRIVE #16			

### PARTS TO BE ASSEMBLED:

10	11368	4	WASHER-- 5/16 FLAT STNLS
9	11315	4	WASHER-- 3/16 RIVET STNLS
8	12382	2	WASHER-- 1/4 FLAT STNLS
7	16884	2	T-NUT-- 1/4-20 X 3/4 PLTD
6	18939	1	TANK-- HT2 MTAN
5	18947	1	SEAT-- ELONGATED MTAN
4	11270	4	RIVET-- #68 STNLS
3	19317	1	HINGE-- HT2 FLUSH BOWL
2	18973	1	BOWL ASSY-- HT2 FLUSH
1	19381	2	BOLT-- 1/4-20 X 1/2 PN HD STNLS
ITEM #	PART #	QTY	DESCRIPTION

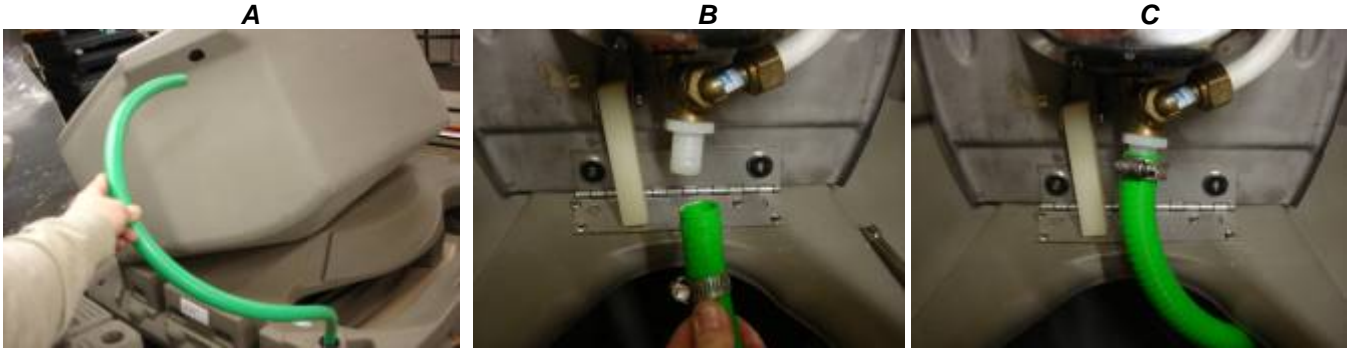
## UPGRADE / FLUSHING DRAWING



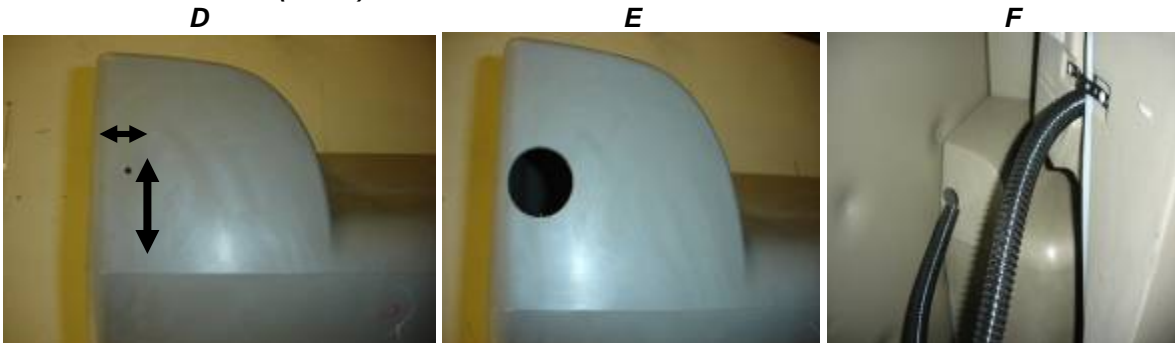
21	15965	55"	TS HOSE- 1/2 OD TUBING
20	19275	1	TS FITTING- 1/2FPT STEM ADAPTR
19	19274	1	TS FITTING- 1/2 TEE HOS x HOS
18	19269	2	STRAINER- 1/2 ID RONVIK
17	19184	6	SCREW- #10-24 1-1/2 STNLS PHPN
16	17030	6	RIVET- AVDEL BLACK
15	18755	8	RIVET- AVDEL SILVER LONG
14	17504	1	PUMP- STRAIGHT GUZZLER FOOT
13	18970	1	PLATE- HT2 FLUSH PUMP
12	19271	4	NUT- 5/8-11 NC STNLS
11	17097	1	HOSE- 3/4 X 72 GREEN
10	15325	3.3"	HOSE- 1 ROLLERFLEX 1100 GREEN
9	19270	1	GROMMET- 1in ID FLUSH
8	14958	1	ELBOW- 90 1in PMP SLP X BOR HS
7	19268	1	DECK PLATE- 4in PRY OFF
6	19386	3	CLAMP, WORMDRIVE #16
5	10280	2	CLAMP, WORMDRIVE #06 STNLS
4	17498	1	CLAMP- #30 HI-TORQUE
3	19276	1	BUSHING- 3/4SP X 1/2FPT PVC40
2	15801	1	BOOT- BUTTON PUMP
1	18932	1	BASE- HT2 DTAN
ITEM #	PART #	QTY	DESCRIPTION

■ **UPGRADE / FLUSH UNIT ASSEMBLY:** [Note: tank comes with flush bowl already installed]

1. **Connect outlet hose from pump to bowl:** “STOP AT THIS POINT IF UNIT IS RECIRCULATING FLUSH SEE KIT-RECIRC FLSH P/N 19309 REFER TO INSTRUCTIONS RECIRC FLUSH P/N 19404 INCLUDED IN KIT”  
**Route outlet hose from base through hole in rear of tank:** while completing unit assembly, vent pipe installation in tank (refer to pics. R & S Instructions High Tech II unit assy P/N 18968 ) make sure outlet hose from pump located at rear of base [right side] is placed through pre-drilled hole in tank P/N 18939 (See A) and outlet hose is pulled completely into tank, when tank is seated in base before fastening panels to tank.  
**Install outlet hose to flush bowl:** on fitting at rear of bowl. [Note: may need to heat end of hose using a heat-gun or very hot water to install outlet hose on bowl fitting] (See B) **Secure outlet hose to fitting on flush bowl:** using 5/16" nut driver bit to tighten #12 clamp P/N 12588 (1) (See C)



2. **Handwash installation:** [Note: hardware for Handwash installation is in a small plastic bag taped on the Interior of the Handwash.] “STOP AT THIS POINT IF INSTALLING HANDWASH WITH NO FLUSH BOWL OR RECIRCULATING FLUSH KIT P/N 19404 ROUTE DRAIN HOSE IN TANK AS SHOWN IN (PICS. D,F,G below)” **Measure & mark location hole for Handwash drain hose in tank:** over from left side of tank 1.250" up 3.00 from parting line. (See D) **Drill hole in tank:** at mark using a 1-3/4" hole saw. (See E) **Install drain hose in tank:** (See F)



3. **Handwash installation:** [Upgrade unit with bowl / fresh water supply] **Measure & mark location hole, for Handwash drain hose in floor of base with bowl:** out from bottom left corner of waste tank .875" & over 1.50" from left edge of base. (See G) **Drill hole in base:** at mark using a 1-3/4" hole saw. (See H) **Install drain hose in base:** P/N 14780 hose 1" low pressure (44") end with grommet attached [2.00" up from end of hose]. (See I) **Press grommet in hole in base:** using a flat blade screwdriver depress grommet in hole until top flange of grommet is flush with the base surface. (See J)

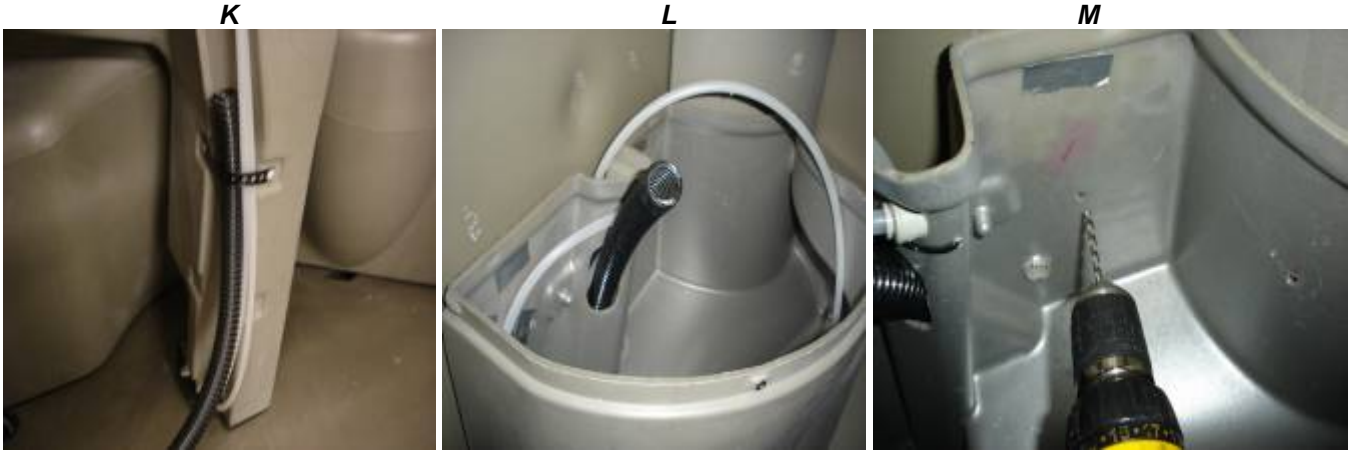


4. Handwash installation:

**Position drain hose at rear of Handwash tank:** run hose in channel up through black strap on rear tank.

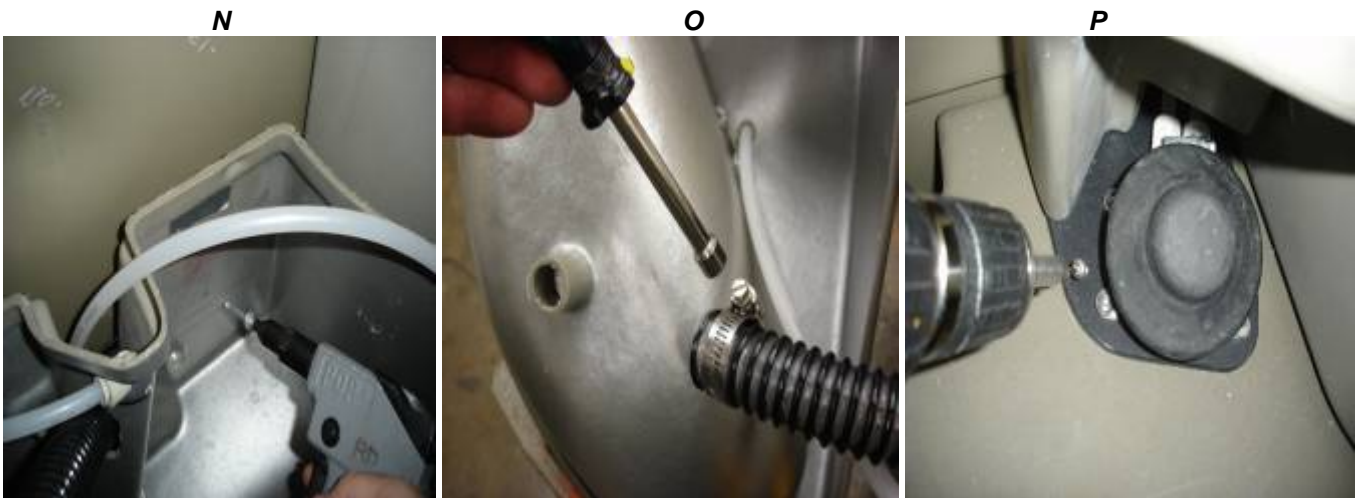
**(See K) Position drain hose top of Handwash tank:** through slot in rear of Handwash tank.

**(See L) Drill hole into left panel:** for securing Handwash tank to panel. Position Handwash tank in left corner of unit against left panel & waste tank. Transfer drill through hole on back of Handwash tank [on right side first, using # 10 drill bit] "be careful not to drill through outside wall of panel". **(See M)**



5. Handwash installation:

**Rivet Handwash tank to left panel:** using rivet P/N 14427 # 66 LSH (1). **(See N) To install second rivet through back wall of Handwash into left panel:** Transfer drill through hole on back of Handwash tank [on left side using # 10 drill bit] "be careful not to drill through outside wall of panel". **Rivet Handwash tank to left panel:** using rivet P/N 14427 # 66 LSH (1). **Install hose on stem of basin:** loosen clamp P/N 19386 # 16 worm-drive on end of hose using 5/16" hex nut driver bit slide hose onto stem of Handwash basin & tighten hose clamp Snap basin onto Handwash tank. **(See O) Secure pump mount plate** to floor of base with screw # 8 x 3/4" P/N 15513 (1) through hole in pump mount plate, using drill with # 2 Phillips driver bit, make sure bottom of Handwash is up against the left panel. **(See P)**



6. **Wastebasket installation:**

[\* **Note:** Hardware for wastebasket installation is in small plastic bag taped on the inside of the wastebasket.]  
Carefully mark out the three hole locations using dimensions in the illustration below. (**See Q**)

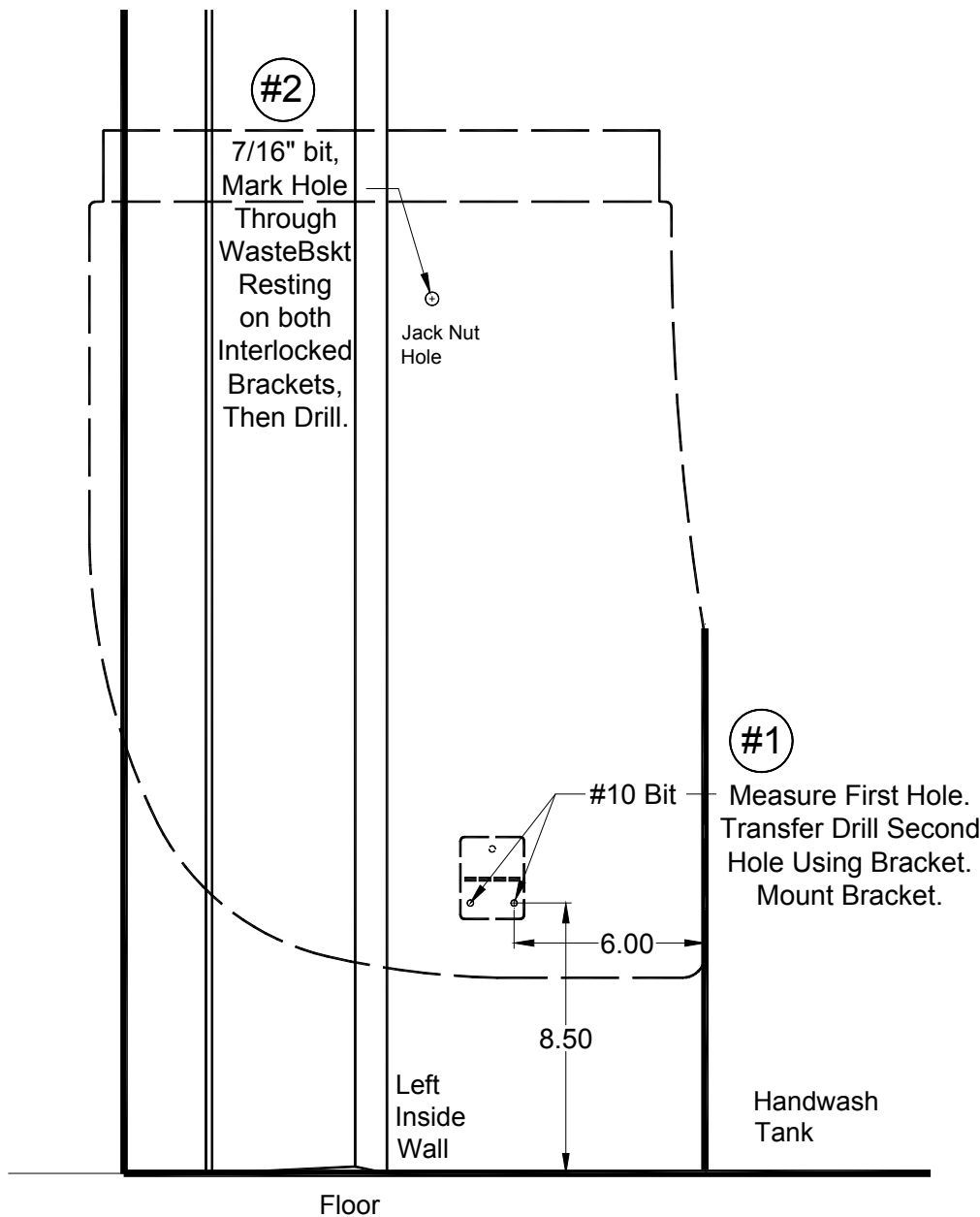
\* "Be careful not to drill through outer wall of panel"

#1) - Mark and drill the 2 lower holes in left panel using the # 10 drill bit and cordless drill. (**See R**)

Make sure **Bracket HT2 WB - #18969** is facing up (as shown) then rivet it to the left inside panel of the wall using **Avdel silver rivets - #17436**. (**See S**) Set wastebasket against wall and with both brackets engaged.

#2) - Mark and drill the 1 upper hole in the left panel using a 7/16" drill bit and cordless drill.

**Q**



**R****S**

Install Jack nut into wall:

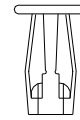
- Drill a new hole using a 7/16" (.438) [11.13mm] drill bit.
- Insert the bolt P/N 10089 through the Jack nut wrench P/N 14332 (wrench stamped with the direction to install the bolt) and into the Jack nut P/N 14331. Turn the bolt finger tight.
- Push the Jack nut into the drilled hole.
- While holding the Jack nut wrench take special care to protect your hand (the wrench edge is sharp) turn the bolt clockwise with a 7/16" wrench until final resistance is felt to crimp insert.
- Remove the bolt and wrench.



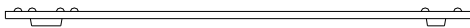
P/N 14332  
WRENCH, 1/4" JACK NUT



P/N 10089  
BOLT, 1/4 - 20 X 1 GR5 PLTD



P/N 14331  
INSERT, 1/4-20 JACK NUT



Install the 1/4-20 X 3/4 knob # 20562 to the wastebasket by inserting it through the hole on the inside first – out the back. **(See T)** Then to hold it in place, press on the 1/4-20 round press nut # 20561 over the threads of the protruding stud until loosely up against the outside back wall of the lower wastebasket. **(See U)**

Position the **wastebasket** in unit against left panel to the left of the Handwash tank so that the lower brackets on the Wastebasket bracket & bracket on the left panel interlock. **(See V)** Insert the Knob stud into the Jack nut hole in the wall and tighten the two together by turning clockwise until snug.

Then after a plastic trash bag has been placed in the lower wastebasket - push lower the wastebasket top onto the wastebasket bottom (now mounted to the wall) until there is a snapping sound.

**T****U****V**

7. **Soap Dispenser installation:** [Note: "be careful not to drill through outside wall of panel"]  
**Drill out dimples** located on left panel (3) using # 10 drill bit for mounting Foam soap / sanitizer kit P/N 18379 (1) Drill top hole only for mounting 800 ML dispenser w / fasteners P/N 17402 (1) or 1000 ML dispenser w / fasteners P/N 17379 (1) **(See W) Rivet soap dispensers** to left panel. Foam soap / sanitizer kit P/N 18379 (1) using rivets Avdel silver P/N 17436 (3) **(See X)** 800 ML dispenser w / fasteners P/N 17402 (1) & 1000 ML dispenser w / fasteners P/N 17379 (1) **(See Y & Z)** [Note: same procedure for riveting 800 ML & 1000 ML dispensers] Rivet to left panel through top hole in dispenser with rivet Avdel silver P/N 17436 (1) Then transfer drill using # 10 drill bit through bottom hole in dispenser & rivet through bottom hole in dispenser into left panel with rivet Avdel silver P/N 17436 (1)



8. **Paper towel Dispenser installation:**  
**Drill out dimples** located on left panel (4) using # 10 drill bit for "be careful not to drill through outside wall of panel" **(See AA) Rivet towel dispenser** MTAN kit P/N 18998 to left panel using rivets Avdel silver P/N 17436 (4) **(See AA)** [Note: top 2 rivets in top left & right slots on back of dispenser. Bottom 2 rivets in left & right slots 2<sup>nd</sup> up from the bottom; if having difficulty locating rivet in bottom 2 holes in left panel transfer drill through dispenser housing near bottom of dispenser.



9. **Decal installation:**  
**Decal Icon** P/N 18971(1) on outside of unit in oval recess at top of door. **(See CC) Decal Flush** Instructions P/N 19259 (1) on inside of unit near edge of door frame up 39" from floor to bottom of decal just to the right of the toilet paper dispenser. **(See DD) Decal toilet paper only** P/N 19260 (1) on inside of seat-lid down 4.50" from top of seat-lid to top of decal centered on seat-lid. **(See EE) Decal HW instructions** P/N 18995 (1) on inside of unit left panel 2.50" down from bottom of soap dispenser to top of decal, over 1.50" from left side of paper towel dispenser to right edge of decal. **(See FF)**





**10. Decal installation:**

**Decal do not drink** P/N 13776 (1) centered on top of Handwash basin. (**See GG**) **Decal toilet paper dispenser** P/N 19308 (1) centered on front of toilet paper dispenser over round recess on dispenser. (**See HH & II**)

**GG**



**HH**



**II**



**► Additional High Tech 2 accessory kit part numbers / instruction part numbers:**

KIT PART NUMBER & DESCRIPTION		INSTRUCTION PART NUMBER & DESCRIPTION	
Part Number	Description	Part Number	Description
18985	Kit, HT 2 Urinal	18986	Instructions, HT 2 Urinal assy
18987	Kit, HT 2 Handle	18988	Instructions, HT 2 Handle assy
19257	Kit, Solar light remote	19283	Instructions, Solar light remote
19392	Kit, Mirror 11 x 11 double wall	19391	Instructions, Mirror 11 x 11 double wall
19309	Kit, HT 2 recirc flush conversion	19404	Instructions, HT 2 recirc flush