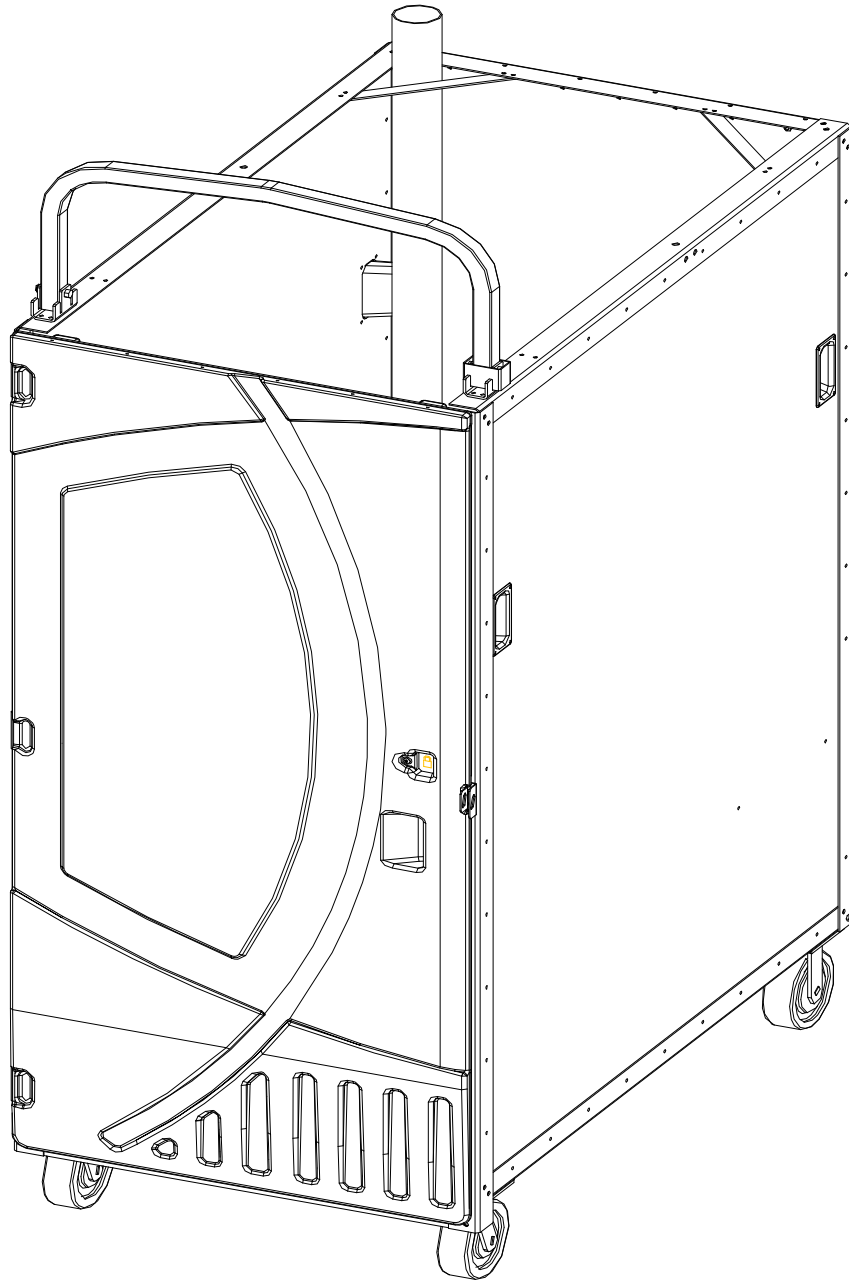


HIGH RISE™

Portable Restroom Assembly Instructions



2530 Xenium Lane North, Minneapolis, MN 55441
Telephone: 763-553-1900 / Fax: 763-553-1905
800-328-3332/ www.satelliteindustries.com

INTRODUCTION

These Assembly Instructions cover the High Rise portable restroom. Satellite portable restrooms must be assembled according to approved assembly procedures. Avoid variations in assembly which could adversely affect product life.

- The assembly procedures are written for assembly of single units. If assembling multiple units, considerable efficiency can be gained by having a crew working in assembly line fashion.

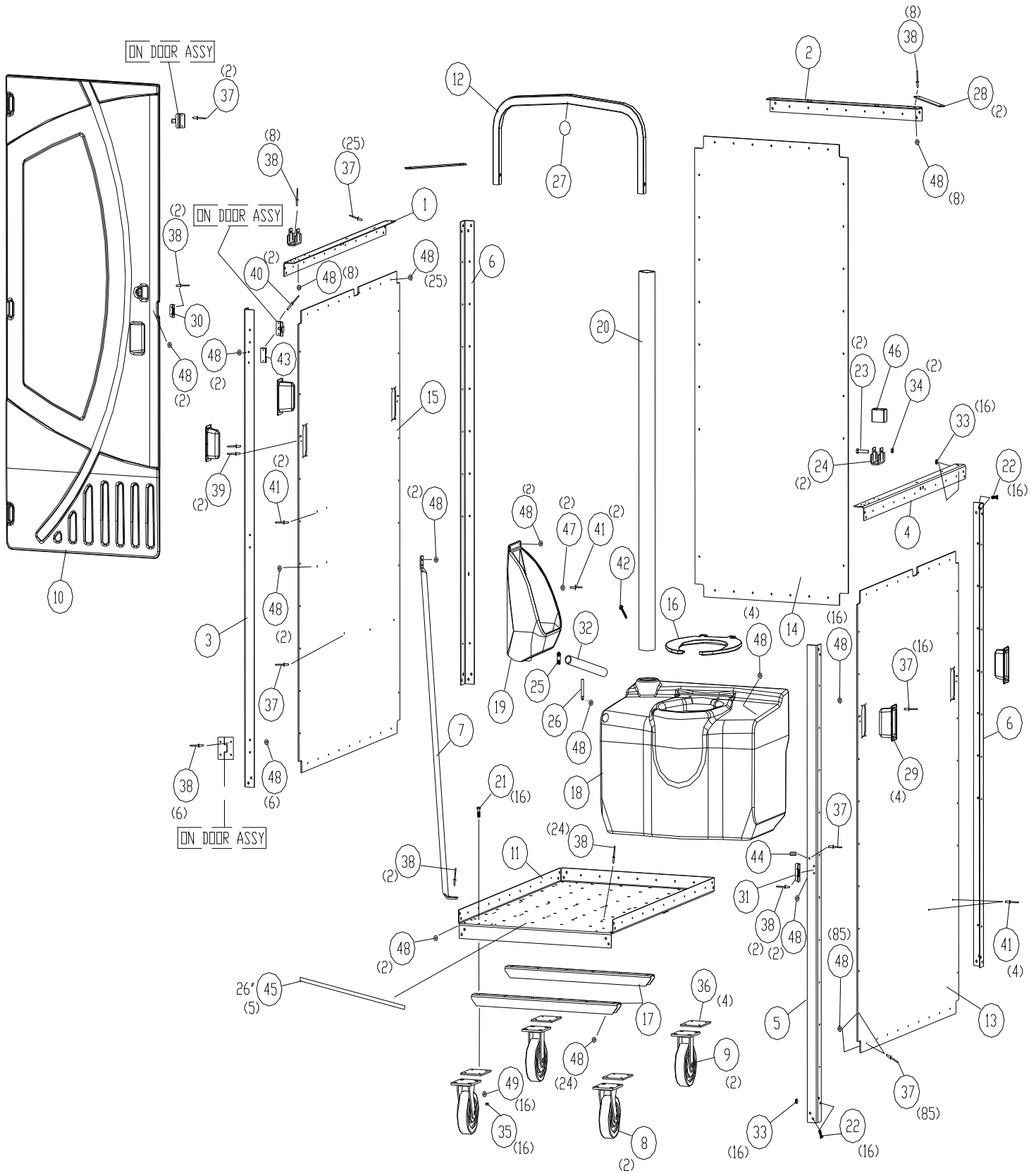
TOOLS

- | | |
|---|--------------------------------------|
| 1. DRILL ELEC/CORDLESS | 2. SOCKET DRIVER BIT |
| 3. 7/16" (.435)[11mm] OPEN END WRENCH | 4. 7/16" (.437)[11 mm] SOCKET |
| 5. 1/4 DRILL BIT | 6. 1/2" (.500)[13mm] OPEN END WRENCH |
| 7. 1/2" (.500)[13mm] SOCKET | 8. 9/16" (.562)[14mm] SOCKET |
| 9. 9/16" (.562)[14mm] OPEN END WRENCH | 10. ADJUSTABLE WRENCH |
| 11. RIVET GUN | 12. #10 (.193)[5mm] DRILL BIT |
| 13. 3/8" (.375)[9mm] HEX NUT DRIVER BIT | |

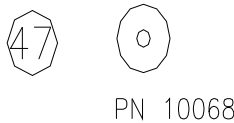
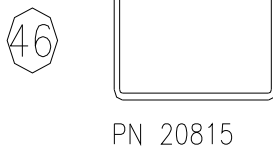
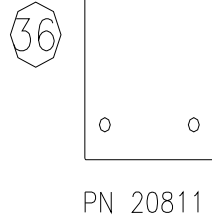
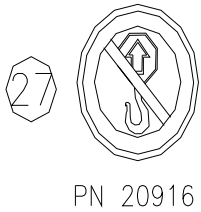
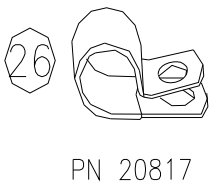
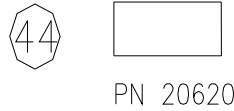
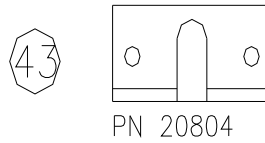
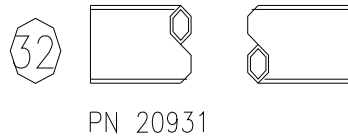
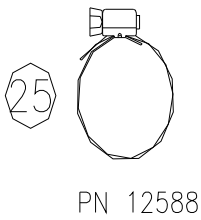
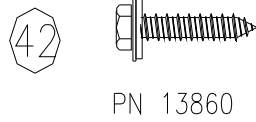
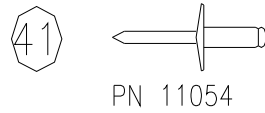
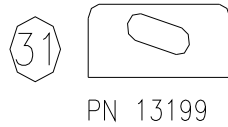
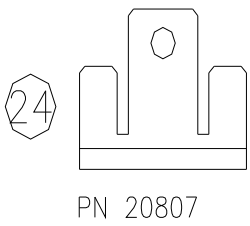
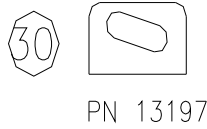
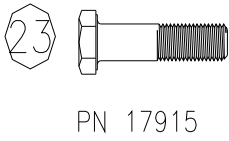
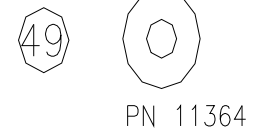
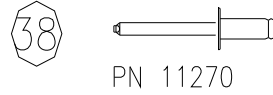
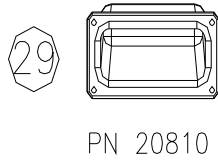
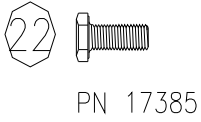
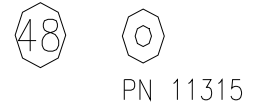
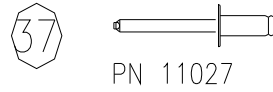
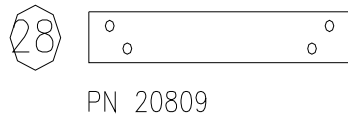
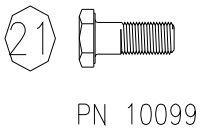
HELPFUL HINTS

- Keep panels out of direct sunlight
- Have an apron with at least two large pockets, easy to get parts out of
- Don't open up all your kit boxes. Open up only enough kit boxes to assemble the number of toilets you are currently working on. **KEEP PARTS ORGANIZED.**

EXPLODED UNIT ASSEMBLY DRAWING



PARTS LIST



1 HDWE, HIGH RISE(#20848)

49	11364	16	WASHER, 1/4 FLAT
48	11315	191	WASHER, 3/16 RIVET STNLS
47	10068	2	WASHER, RUBBER 3/32 THK
46	20815	1	TUBE, HIGH RISE PROP LOCK
45	20919	130"	STRIP, 1in ANTISLIP
44	20620	1	SPACER, TM II URINAL ALUM
43	20804	1	SPACER, CABLE ANCHOR BRACKET
42	13860	1	SCREW, #14 X 1-1/2 W/WSH GOLD
41	11054	8	RIVET, #68 AAL POP
40	10812	2	RIVET, #612 ALUM
39	14351	2	RIVET, #610 CCP
38	11270	52	RIVET, #68 STNLS
37	11027	130	RIVET, #66 ALUM
36	20811	4	PLATE, CASTER MOUNT HIGH RISE
35	13131	16	NUT, 5/16 NYLOC
34	20805	2	NUT, 3/8-16 NYLOC THIN
33	16307	32	NUT, 1/4-20 NYLOC STNLS
32	20931	1	HOSE, 1in HIGH RISE URINAL
31	13199	1	HASP, 3/16 RIVET HOLE FACING
30	13197	1	HASP, 3/16 RIVET HOLE DOOR
29	20810	4	HANDLE, POCKET HIGH RISE
28	20809	2	GUSSET, HIGH RISE CORNER
27	20916	1	DECAL, HIGH RISE DO NOT LIFT
26	20817	1	CLAMP, INSULATED HIGH RISE
25	12588	1	CLAMP, WORMDRIVE #12
24	20807	2	BRACKET, PROP FRAME HIGH RISE
23	17915	2	BOLT, 3/8-16 X 2 GRD8 PLTD
22	17385	32	BOLT, 1/4-20 X 3/4 GRD5 PLTD
21	10099	16	BOLT, 5/16-18 X 1 GR5 PLTD

STANDARD HIGH RISE PARTS

20	20816	1	VENT PIPE, 3 X 52-1/2 BLACK
19	11999	1	URINAL, SPLASHGUARD GREY
18	20814	1	TANK, 38 GALLON HIGH RISE
17	20852	2	SUPPORT, HIGH RISE FLOOR
16	14959	1	SEAT, ELONG MX2/MX3/TRS/HT BLK
15	20882	1	PANEL, HIGH RISE SIDE LT PBLU
14	20802	1	PANEL, HIGH RISE REAR PBLU
13	20801	1	PANEL, HIGH RISE SIDE RT PBLU
12	20848	1	HDWE, HIGH RISE
11	20806	1	FRAME, PROP HIGH RISE
10	20797	1	FLOOR, HIGH RISE
9	20803	1	DOOR ASSY, HIGH RISE PBLU
8	20813	2	CASTER, 2 X 6 RIGID HIGH RISE
7	20812	2	CASTER, 2 X 6 SWIVEL HIGH RISE
6	20808	1	BRACE, DOOR FRAME HIGH RISE
5	20851	2	ANGLE, 67 VERT HIGH RISE REAR
4	20850	1	ANGLE, 67 VERT HIGH RISE HASP
3	20849	1	ANGLE, 51-1/2 HOR HIGH RISE RH
2	20800	1	ANGLE, 67 VERT HIGH RISE HINGE
1	20799	1	ANGLE, 30 HORIZ HIGH RISE
1	20798	1	ANGLE, 51-1/2 HOR HIGH RISE LH
ITEM#	PART#	QTY	DESCRIPTION

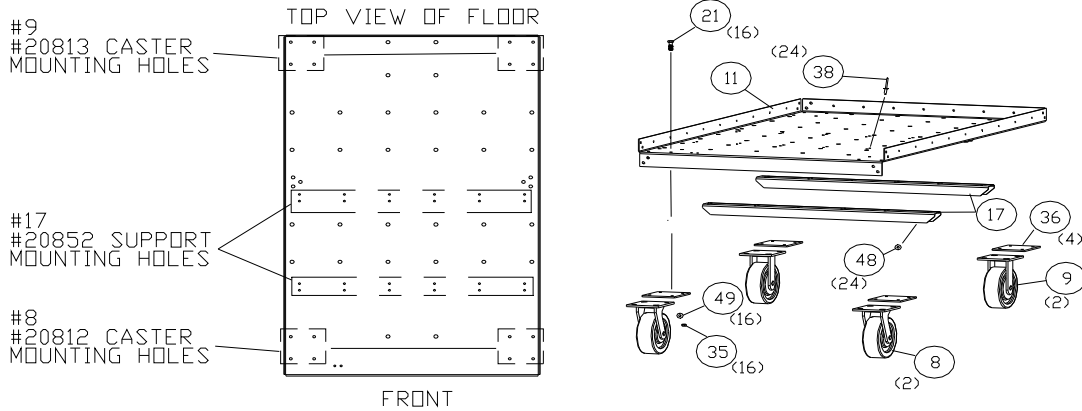
DIRECTIONS

1. ATTACH FLOOR SUPPORT BRACKETS AND CASTER.

ATTACH #17 SUPPORTS: TO #11 FLOOR WITH #38 RIVETS ON TOP OF FLOOR AND #48 WASHERS ON BOTTOM OF SUPPORT. AS SHOWN BELOW. **NOTE:** MAY NEED TO CLAMP SUPPORTS TO FLOOR PRIOR TO RIVETING.

ATTACH #8 CASTERS: TO FRONT HOLES OF FLOOR USING #21 BOLTS, #49 WASHERS AND #35 NUTS. PLACE #36 PLATES IN BETWEEN FLOOR AND CASTER. AS SHOWN BELOW.

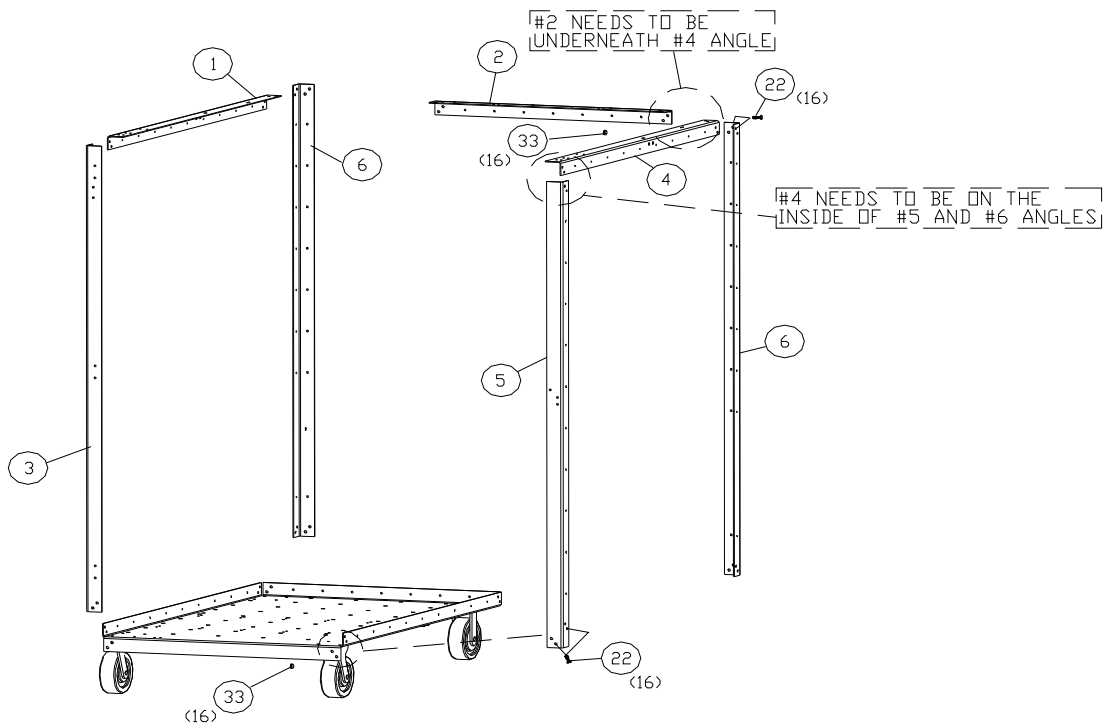
ATTACH #9 CASTERS: REPEAT SAME PROCESS AS #8 CASTERS FASTENING. BUT USE BACK HOLES IN FLOOR. **NOTE:** SWIVEL CASTERS GO ON THE FRONT, RIGID CASTERS ON REAR.



2. ATTACH VERTICAL AND HORIZONTAL ANGLES. (NOTE: ANGLES ARE DIFFERENT, LOOK FOR HOLE LOCATION ON DRAWING BELOW).

FASTEN #5 67" ANGLE IN FRONT, #6 67" ANGLE IN BACK TO #4 51-1/2" ANGLE WITH #22 BOLTS AND #33 NUTS. AS SHOWN. SEE NOTES BELOW FOR ANGLE FASTENING LOCATION.

NOTE: DO NOT TIGHTEN NUTS ON BOLTS AT THIS TIME.
REPEAT STEP ABOVE ON OPPOSITE SIDE.



3. ATTACH PANELS TO ANGLES.

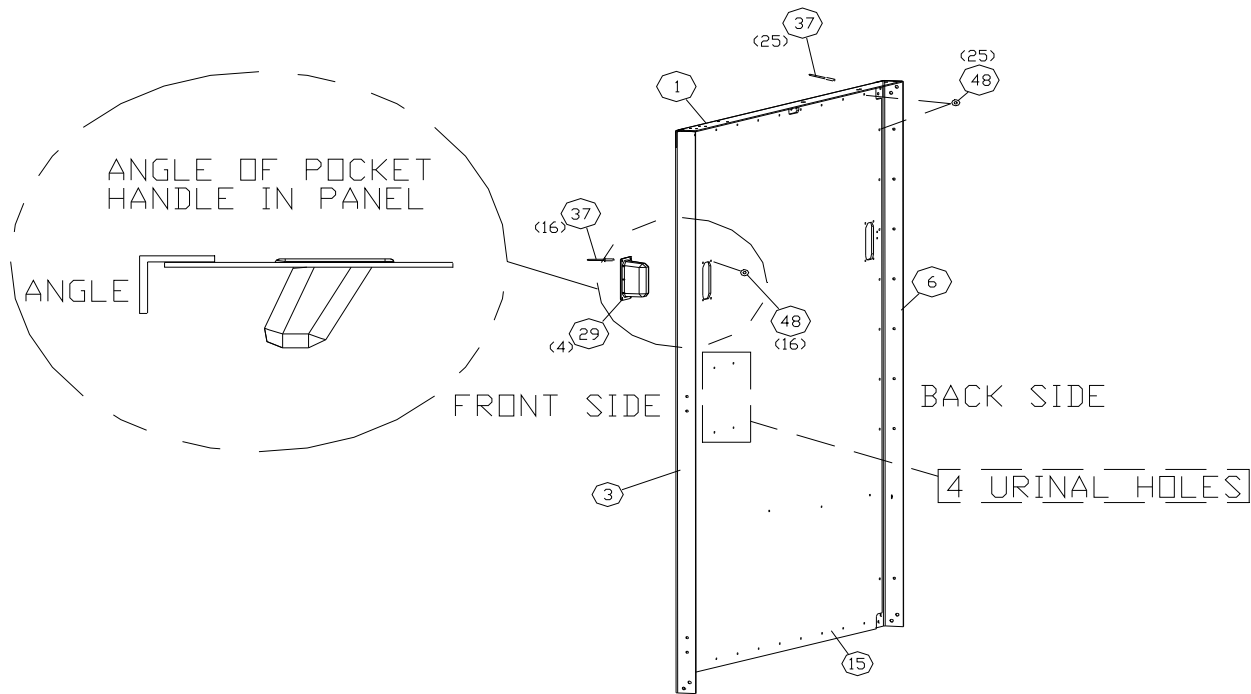
FASTEN #15 LEFT PANEL FIRST TO THE LEFT SIDE OF UNIT. PANEL ON THE INSIDE OF ANGLES SO THE TEXTURE SIDE IS SHOWING ON THE OUTSIDE OF THE TOILET. NOTE: THE 4 HOLES FOR MOUNTING URINAL (ONLY LEFT PANEL HAS PRE-DRILLED HOLES FOR MOUNTING URINAL) ARE TOWARDS THE FRONT OF THE UNIT. FASTEN WITH #37 RIVETS AND #48 WASHERS AS SHOWN. RIVET EACH CORNER FIRST. THEN FINISH RIVETING REMAINING HOLES IN PANEL TO ANGLES AND FLOOR.

REPEAT THIS STEP ON BACK AND RIGHT SIDE PANELS.

NOTE: BOTTOM OF REAR PANEL DOESN'T HAVE HOLES WHERE TANK FITS IN UNIT.

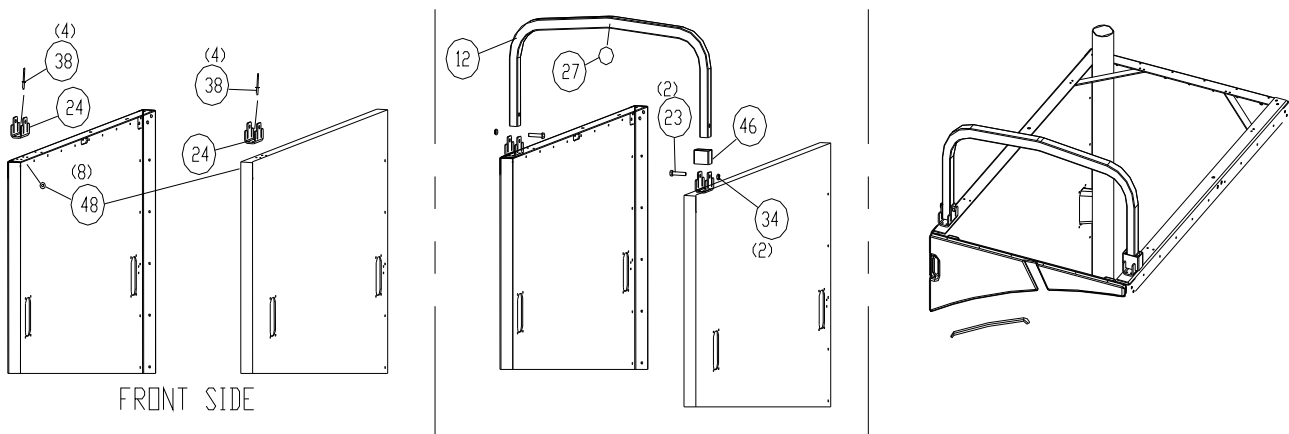
4. FASTEN POCKET HANDLES TO PANEL HOLES.

USING #37 RIVETS AND #48 WASHERS FASTEN HANDLE TO PANELS AS SHOWN. REPEAT THIS STEP ON RIGHT PANEL ALSO.



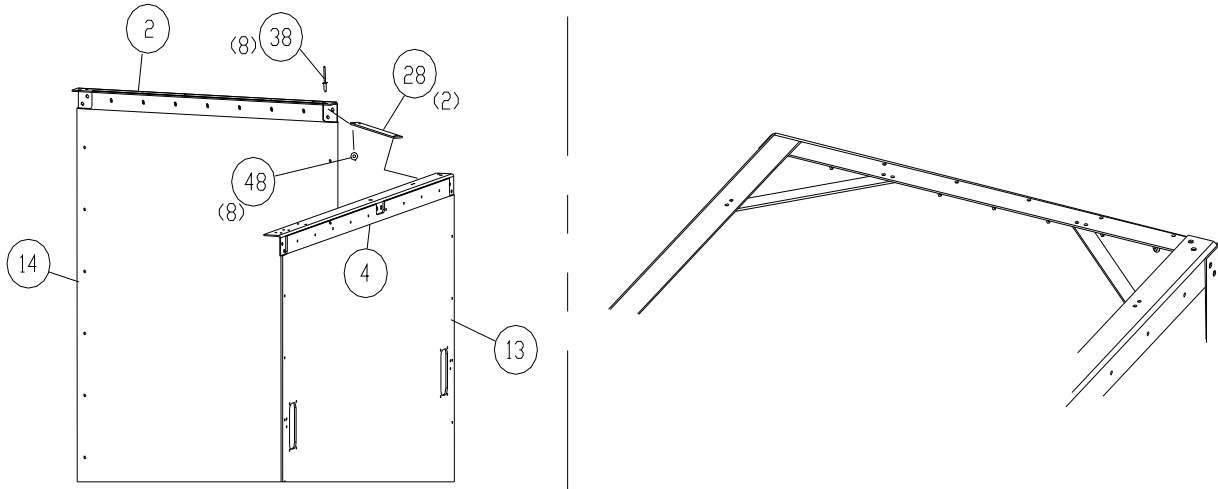
5. FASTEN PROP BRACKET AND FRAME.

ATTACH #24 BRACKET TO ANGLES WITH #38 RIVET AND #48 WASHER AS SHOWN, SLIDE #46 TUBE OVER #12 FRAME ON RIGHT SIDE. BOLT #12 FRAME TO #24 BRACKETS WITH #23 BOLT AND #34 NUT AS SHOWN. **DO NOT OVER TIGHTEN; ALLOW PROP FRAME TO TILT BACK BUT HAVE SOME RESISTANCE SO IT WON'T FALL DOWN AND HIT SOMEONE.**



6. FASTEN CORNER GUSSETS.

FASTEN #28 GUSSETS UNDER REAR CORNER ANGLES. FASTEN WITH #38 RIVETS AND #48 WASHERS AS SHOWN. REPEAT ON OPPOSITE CORNER.

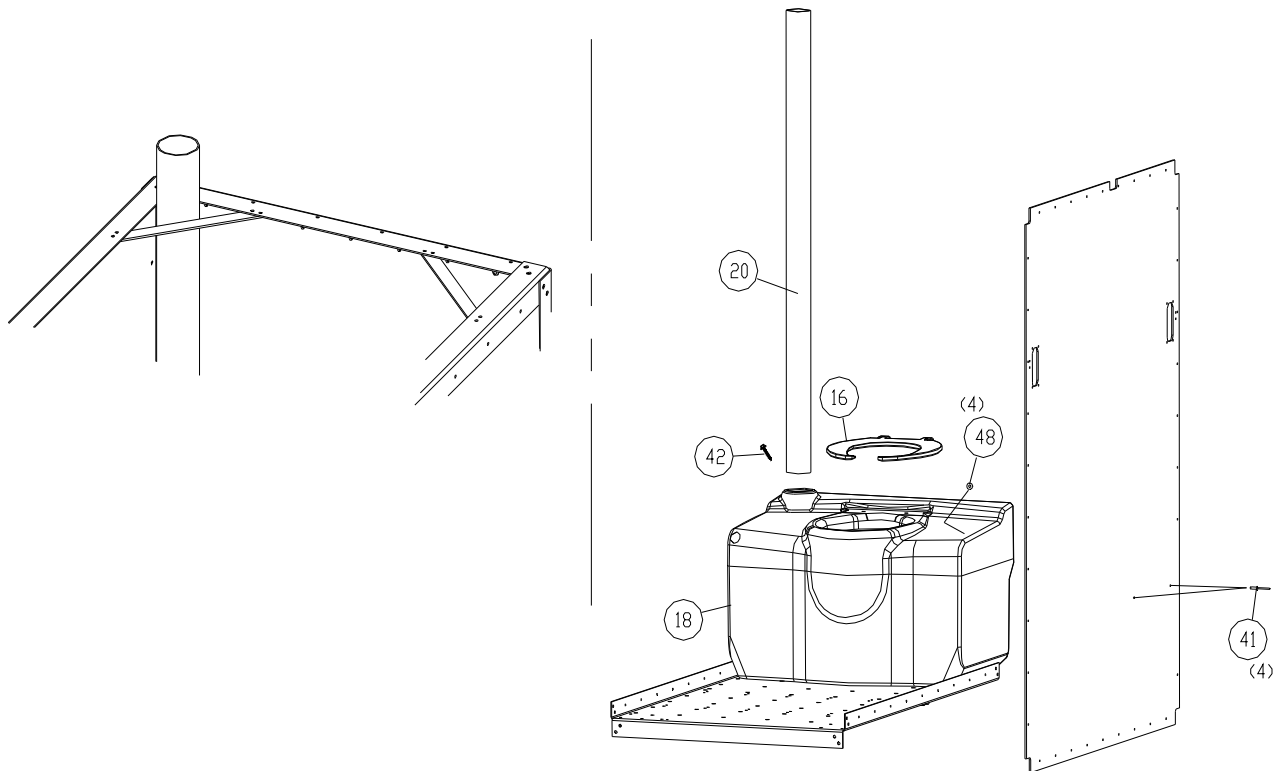


7. TIGHTEN ALL BOLTS AND NUTS IN ANGLES TO FLOOR USING THE 7/16" SOCKET AND WRENCH.

8. INSTALL TANK AND TOILET SEAT IN REAR OF TOILET.

SLIDE #18 TANK INTO BACK OF TOILET. FASTEN #16 TOILET SEAT TO TANK. TRANSFER DRILL THROUGH HOLES IN PANELS (2 PER PANEL) THROUGH #18 TANK. FASTEN PANELS TO TANK WITH #41 RIVETS AND #48 WASHERS. RIVETS ON OUTSIDE OF TOILET AND WASHERS ON THE INSIDE OF THE TANK.

INSTALL THE #20 VENT PIPE. SLIDE VENT PIPE BETWEEN GUSSET AND ANGLES IN TOP REAR LEFT CORNER OF UNIT. SLIDE VENT PIPE IN HOLE IN TANK. TOP OF VENT PIPE SHOULD BE 4.50" FROM TOP SURFACE OF HORIZONTAL ANGLES. FASTEN WITH VENT PIPE TO TANK WITH #42 SCREW, USING A 3/8" NUT DRIVER BIT AND DRILL.

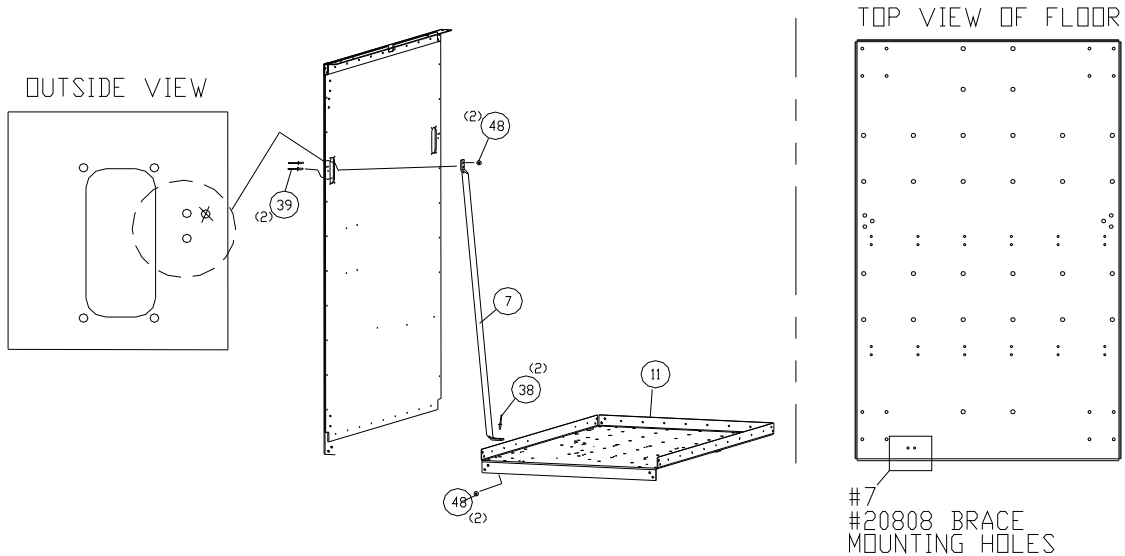


9. TIGHTEN ALL REMAINING BOLTS AND NUTS TO THE TOP ANGLES AT THIS TIME WITH 7/16" SOCKET AND WRENCH.

10. INSTALL BRACE DOOR FRAME

RIVET BOTTOM OF #7 BRACE TO TOP OF FLOOR, SEE FLOOR VIEW FOR HOLE LOCATION. USING #38 RIVETS AND #48 WASHERS. AS SHOWN.

RIVET TOP OF #7 BRACE TO LEFT SIDE PANEL. USING #39 RIVETS AND #48 WASHERS. AS SHOWN.

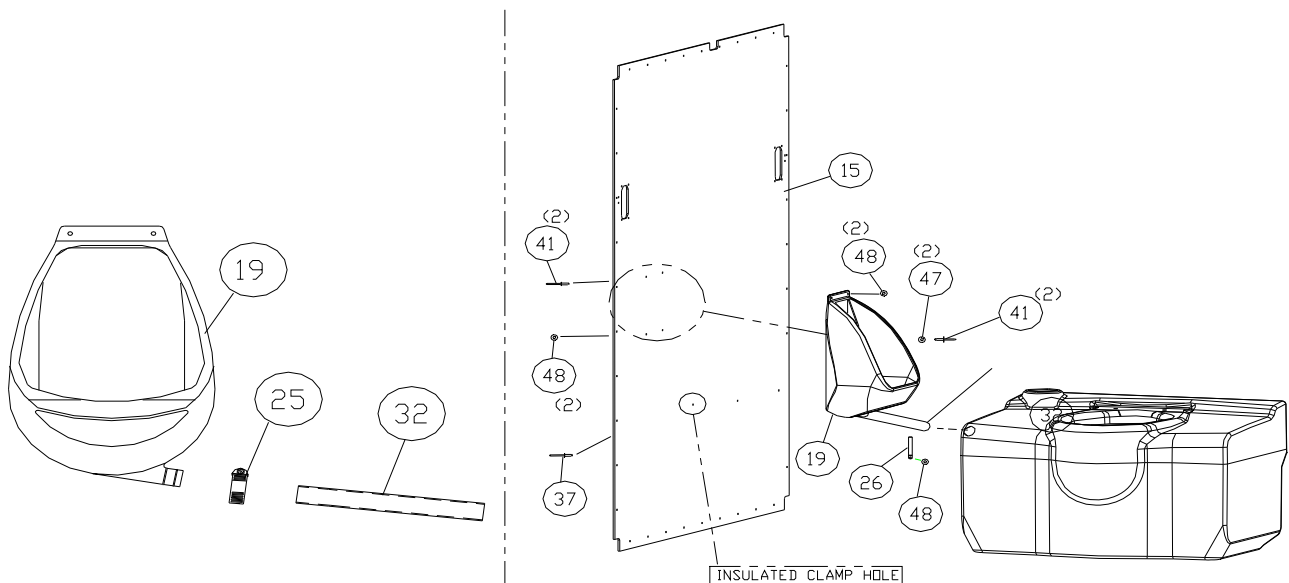


11. INSTALL URINAL.

PRESS #32 HOSE ONTO #19 URINAL AND FASTEN WITH #25 CLAMP. PLACE HOSE END INTO URINAL HOLE IN WASTE TANK. (TOP LEFT CORNER OF TANK)

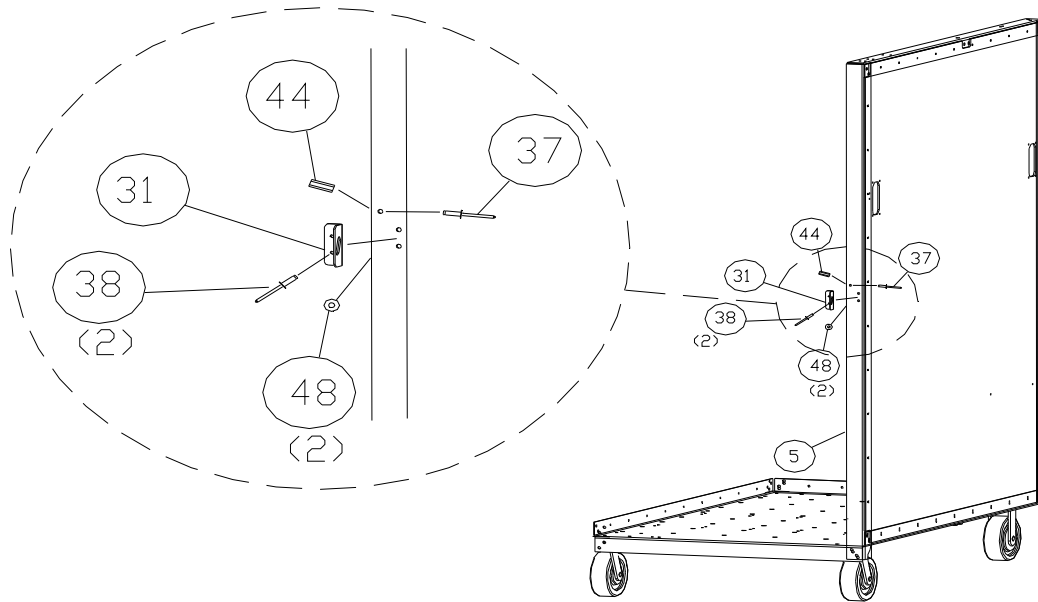
RIVET URINAL TO LEFT PANEL. USE HOLES IN PANEL AS SHOWN. RIVET THE TOP HOLES FIRST WITH #41 RIVETS FROM THE OUTSIDE AND #48 WASHERS ON THE INSIDE. FASTEN THE BOTTOM HOLES WITH #41 RIVETS AND #47 RUBBER WASHER ON THE INSIDE AND #48 WASHER ON THE OUTSIDE.

PLACE #26 CLAMP INSULATED OVER URINAL HOSE. FASTEN WITH #37 RIVET FROM THE OUTSIDE AND #48 WASHER ON THE INSIDE. AS SHOWN. RIVET IS BELOW HOSE.



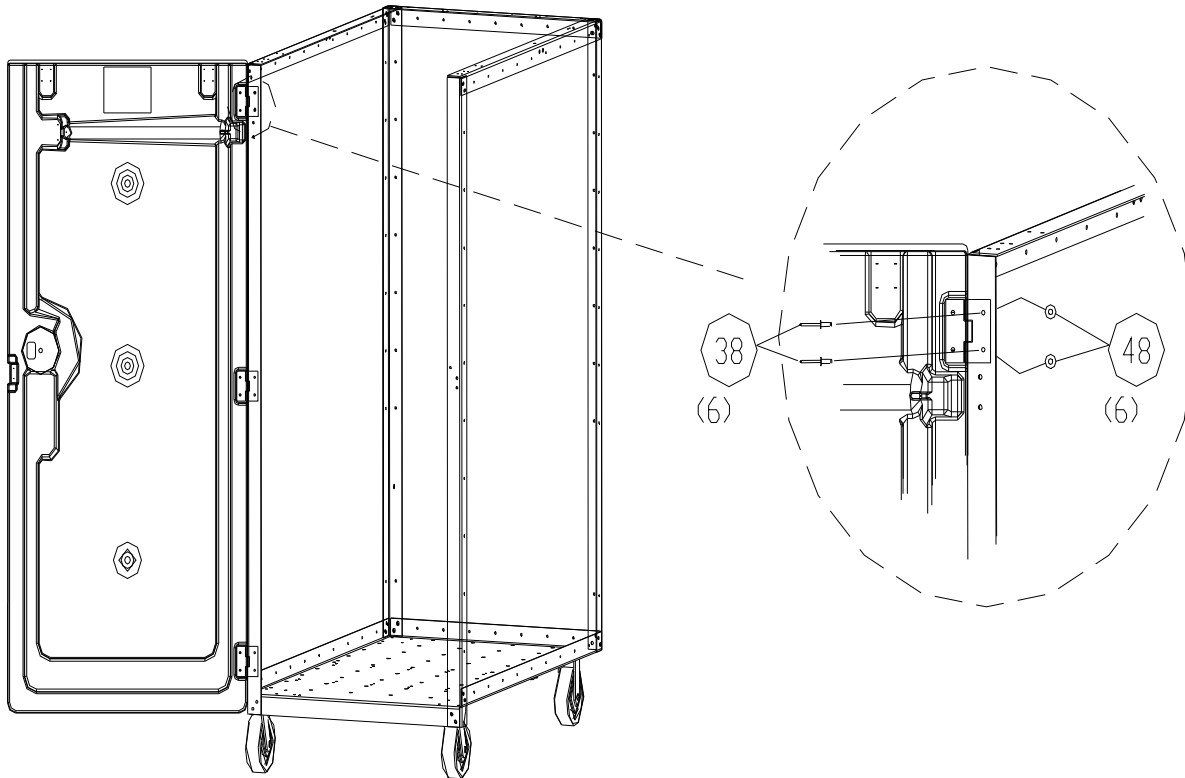
12. FASTEN LATCH STOP SPACER AND HASP TO VERITCAL ANGLE.

PLACE #44 SPACER ON INSIDE OF #5 VERTICAL HASP ANGLE. FASTEN WITH #37 RIVET FROM THE OUTSIDE.
 RIVET THE #31 HASP TO ANGLE WITH #38 RIVETS (THROUGH HASP THEN ANGLE) AND #48 WASHERS (ON INSIDE OF TOILET) AS SHOWN.



13. FASTEN DOOR ASSY TO ANGLE.

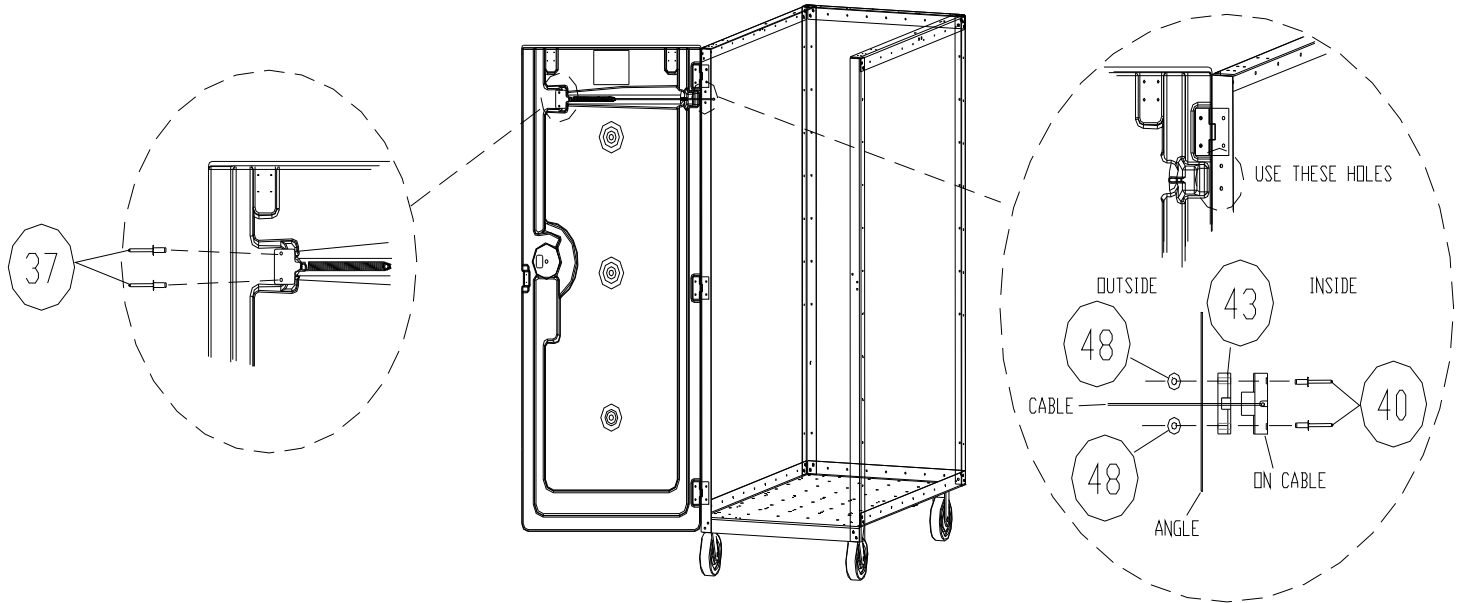
RIVET THE #10 DOOR ASSY TO ANGLE USING #38 RIVET (THROUGH HINGE THEN ANGLE) AND #48 WASHER (ON INSIDE OF TOILET) AS SHOWN. REPEAT ON REMAINING HINGES.



14. FASTEN SPACER AND CABLE ANCHOR TO ANGLE.

PLACE THE #43 SPACER UNDER THE CABLE ANCHOR BRACKET. INSERT (2) #40 RIVET THROUGH BOTH HOLES IN BRACKET AND THROUGH SPACER. ATTACH TO HOLES IN ANGLE BELOW TOP HINGE WITH #48 WASHERS ON OUTSIDE OF ANGLE. **NOTE:** NEED TO HOLD DOOR PART WAY OPEN TO PLACE WASHERS ON RIVETS.

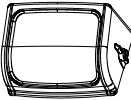

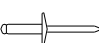

FASTEN SPRING ANCHOR TO DOOR WITH #37 RIVETS. **NOTE:** NEED TO PULL BRACKET INTO POSITION ON DOOR AND INSERT RIVETS THROUGH BRACKET INTO HOLES IN DOOR.



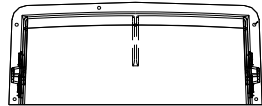
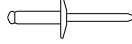


15. INSTALLATION OF THE 2 ROLL AND 3 ROLL PAPERGUARDS.

NOTE: #19408 KIT- 4 ROLL TP DISPENSER ALSO WILL FIT, SEE #19407 INSTRUCTION.

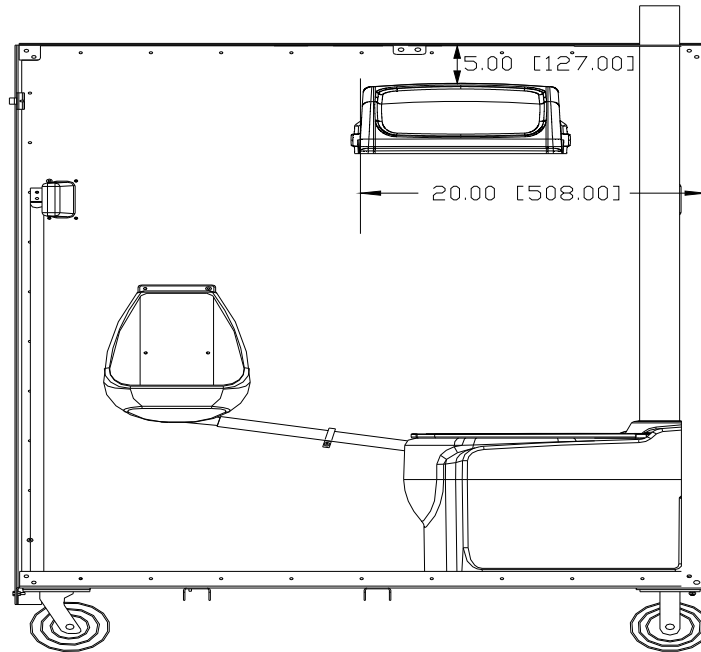
#16845 KIT, PAPERGRD 2 ROLL POP RIVET

- ①  PN 17082
- ②  PN 16844
- ③  PN 11054 (4ea)
- ④  PN 11315 (4ea)

#19114 KIT, PAPERGRD 3 ROLL POP RIVET

- ①  PN 18652
- ②  PN 11054 (4ea)
- ③  PN 18529
- ④  PN 11315 (4ea)

LOCATE PAPERGUARD ON LEFT PANEL AS SHOWN. MARK THE (4) HOLES ON THE INSIDE OF THE PAPERGUARD WITH MARKER. DRILL OUT THE (4) MARKED SPOTS ON PANEL WITH A 1/4" DRILL BIT. FASTEN PAPERGUARD HOOD WITH THE #11054 RIVETS FROM THE OUTSIDE AND #11315 WASHERS ON THE INSIDE OF TOILET. SLIDE #16844 SPINDLE IN PAPERGUARD.



3 ROLL PAPERGUARD

LOCATE PAPERGUARD ON LEFT PANEL AS SHOWN. USING THE (2) HOLE ON BOTH ENDS OF THE PAPERGUARD DRILL THROUGH PAPERGUARD AND PANEL WITH A 1/4" DRILL BIT. FASTEN PAPERGUARD HOOD WITH THE #11054 RIVETS FROM THE OUTSIDE AND #11315 WASHERS ON THE INSIDE OF TOILET. SLIDE #18529 SPINDLE IN PAPERGUARD.

