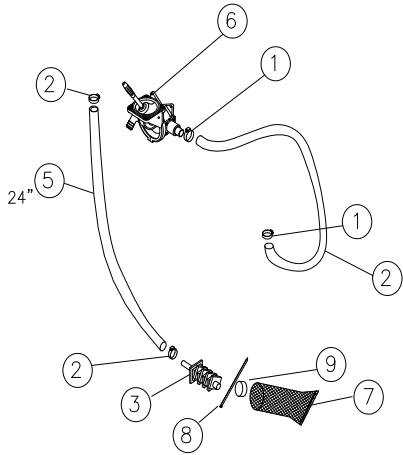


# TUFWAY HAND FLUSH FLIPTOP INSTRUCTIONS

**INTRODUCTION:** Satellite portable restrooms and accessories must be assembled according to approved assembly procedures. Avoid variations in assembly procedures, which could adversely affect product life and warranty.



1 15029 PUMP ASSY, SWISH

9	17331	1	WEIGHT, TURBO RECIRC FILTER
8	11261	1	TIE, WIRE 6in
7	16949	1	SCREEN, TURBO RECIRC FILTER
6	19173	1	PUMP, BILGE W/ELBOW
NOT USED	19196	1	KIT, T/SEAT 2-1/2 BOLT/NUT SET
NOT USED	14965	1	INSTRUCTION, SWISH FLUSHING
5	14384	24"	HOSE, #44 FLEX
4	15143	1	FILTER, RECIRCULATING FLUSH
3	12588	2	CLAMP, WORMDRIVE #12

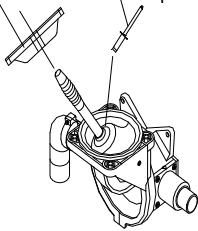
1	15029	1	PUMP ASSY, SWISH
2	17096	1	HOSE, 3/4 X 25 GREEN
1	12588	2	CLAMP, WORMDRIVE #12

**TOOLS:** •Electric/Cordless Drill •Rivet Gun •Phillips Screw Driver or Driver Bit

## 1. Fasten Handle, Boot, Hose and Pump as Shown.

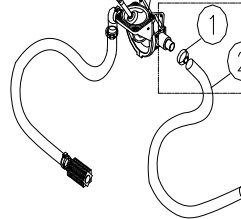
Slide rubber boot over handle and onto pump.

Rivet handle to pump

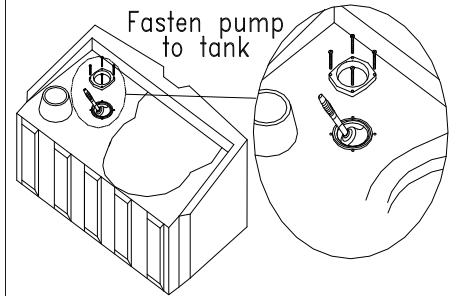


Pump Assy

Fasten hose to pump



Fasten pump to tank

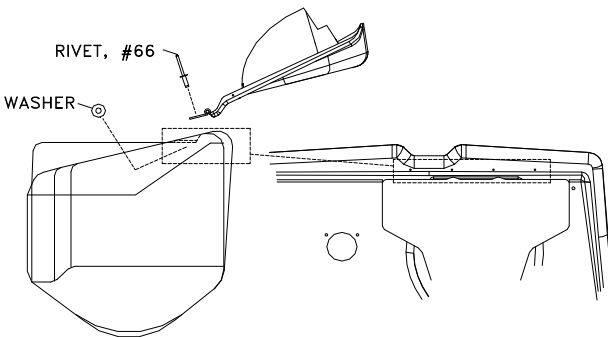


## 2. Fasten Deck Assembly to Tank and Hose to Elbow as Shown.

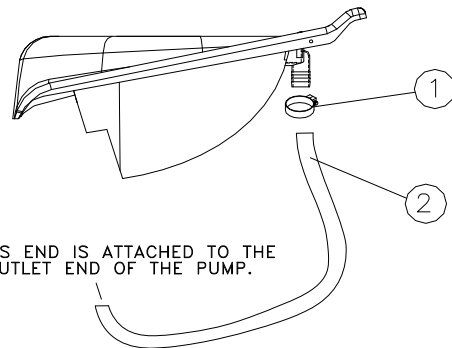
\*RIVETS AND WASHERS ARE TAPED TO DECK ASSY

RIVET, #66

WASHER



\*THIS END IS ATTACHED TO THE OUTLET END OF THE PUMP.



2530 Xenium Lane North, Minneapolis, MN 55441  
 Telephone: 763-553-1900 / Fax: 763-553-1905  
 800-328-3332/ [www.satelliteindustries.com](http://www.satelliteindustries.com)