

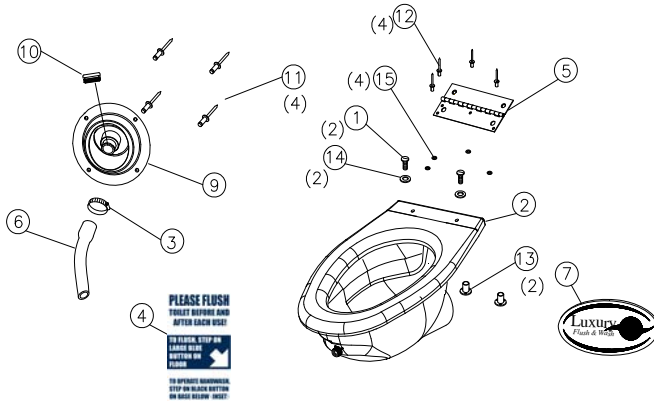
Instructions Maxim 3000® Turbo Plastic Bowl/Fill Port

INTRODUCTION: Satellite portable restrooms and accessories must be assembled according to approved assembly procedures. Avoid variations in assembly procedures, which could adversely affect product life and warranty.

HARDWARE:

#17816 KIT, MX3 TURBO PLST BOWL

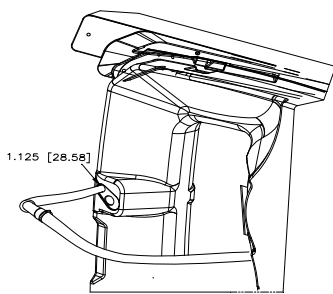
15	11315	4	WASHER, 3/16 RIVET STNLS
14	12382	2	WASHER, 1/4 FLAT STNLS
13	16884	2	T-NUT, 1/4-20 X 3/4 PLTD
12	11270	4	RIVET, #68 STNLS
11	17436	4	RIVET, AVDEL SILVER
10	17224	1	PLUG, 1-5/8 ROUND HOLE
9	16858	1	PLATE, FILL/PUMP-OUT
8	19050	1	INSTRUCTION, MX3 TUR PLST BOWL
7	17318	1	ICON, UPGRADE DECAL
6	15968	1	HOSE, 1 X 8 GREEN
5	17169	1	HINGE, FLUSH BOWL
4	21150	1	DECAL, FOOT FLUSHING
3	10281	1	CLAMP, WORMDRIVE #20
2	17442	1	BOWL ASSY, MX3 TURBO W/COLLAR
1	13216	2	BOLT, 1/4-20 X 3/4 SLOT PNHD
ITEM #	PART #	QTY	DESCRIPTION



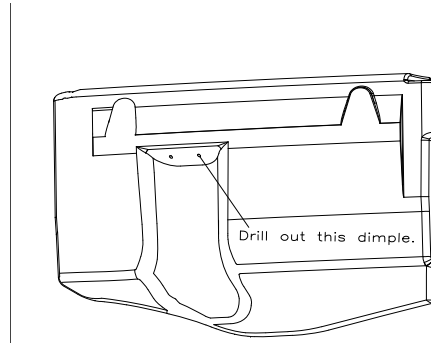
Tools:

- DRILL ELEC/CORDLESS
- STANDARD SCREWDRIVER
- PHILLIPS SCREWDRIVER BIT
- 5/16"[8MM] NUT DRIVER BIT
- RIVET GUN
- HOLE SAW 2.00"[50mm]
- RECIPROCATING SAW
- #10 DRILL BIT

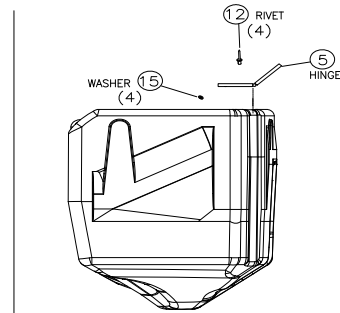
1. Insert end of inlet hose into 1-1/8 [29mm] hole in top of base. **(SEE ITEM # 1)**
2. Drill 2" [50mm] hole on dimple, located on the right side of the tank. Insert the outlet hose into hole. **(SEE ITEM # 2)**
3. Using the plastic screws supplied with toilet seat and the hinge as a fixture. Insert screws through holes in hinge and in tank holes for the toilet seat. Drill (4) #10 [5mm] holes through hinge and tank. Fasten with rivets and washers. Washers on the inside of tank. **(SEE ITEM # 3)**



ITEM # 1

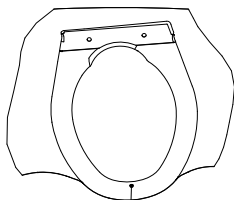


ITEM # 2

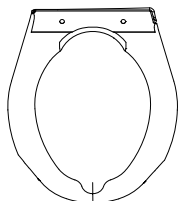


ITEM # 3

4. Remove lip: If using a jig saw, cut out pattern (on page 3) and place on rim and align with center line, mark and cut out. If using a hole saw, drill out dimple on inside of tank rim with a 2" hole saw. **(SEE ITEM # 4)**
5. Attach hose to bowl. Use Teflon tape on nozzle. **(SEE ITEM # 5)**
6. With hinge open, place T-nuts in the (2) large holes in hinge. Place washers on bolts. Insert washers through seat lid hinge and just start in T-nut. Center seat lid on bowl and tighten bolts. **(SEE ITEM # 6)**

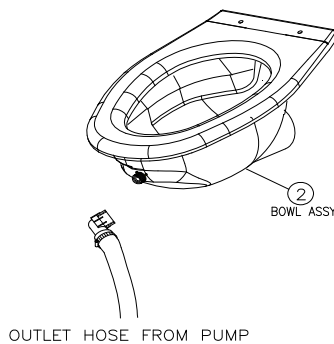


HOLE SAW DIMPLE



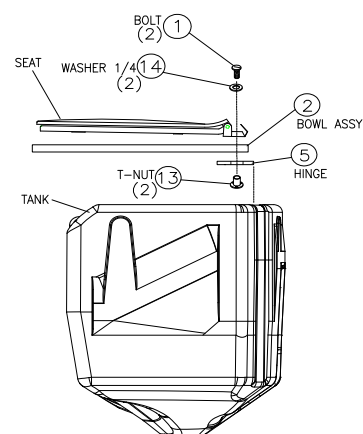
JIG SAW HOLE

ITEM # 4



OUTLET HOSE FROM PUMP

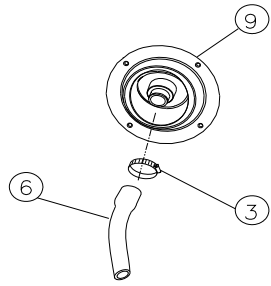
ITEM # 5



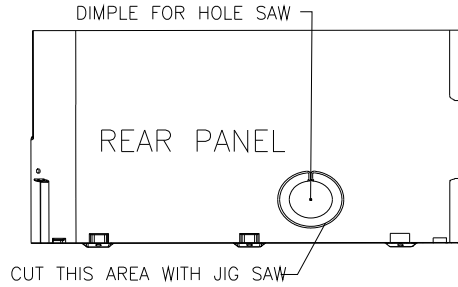
ITEM # 6

7. Fasten hose to plate fill/pump out with hose clamp. **(SEE ITEM # 7)**

8. Drill out hole in rear panel. If using a hole saw, use a 5-1/2" hole saw and use dimple in panel for starting point. If using a jig saw, cut out outside edge of the recess. **(SEE ITEM # 8)**



ITEM # 7

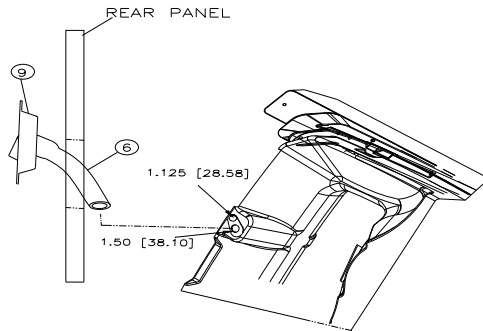


ITEM # 8

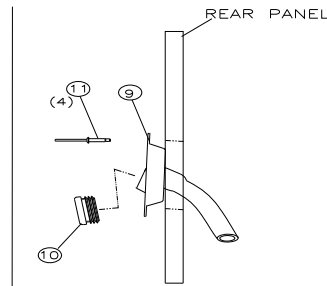
9. Insert the large hose into the 1-1/2" [38mm] hole in base. Note the curvature of the hose goes downward and fits into the hole in the base hole without kinking. **(SEE ITEM # 9)**

10. Fasten plate to panel. Using the plate as a fixture, drill out a one of the holes with a #10 [5mm] drill bit. **BEING CAREFUL TO JUST DRILL THROUGH FIRST LAYER.** Fasten plate to panel with rivet and repeat step to (3) remaining holes in plate. **(SEE ITEM # 10)**

11. Push plug in plate hole. **(SEE ITEM # 10)**

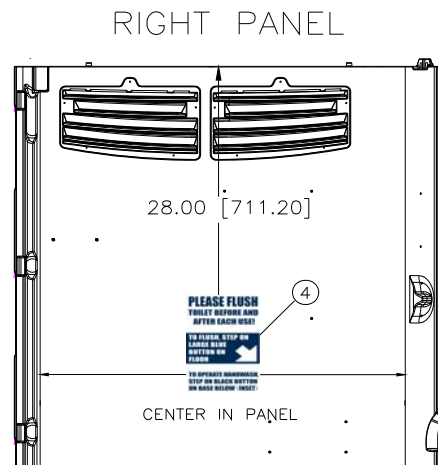
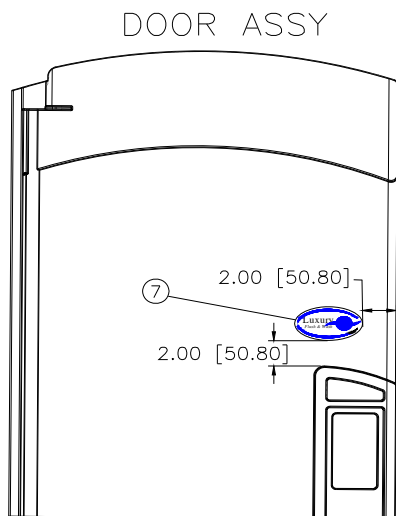


ITEM # 9



ITEM # 10

12. Apply Icon and decal to door and panel.



2530 Xenium Lane North, Minneapolis, MN 55441
 Telephone: 763-553-1900 Fax: 763-553-1905
 800-328-3332 / www.satelliteindustries.com

