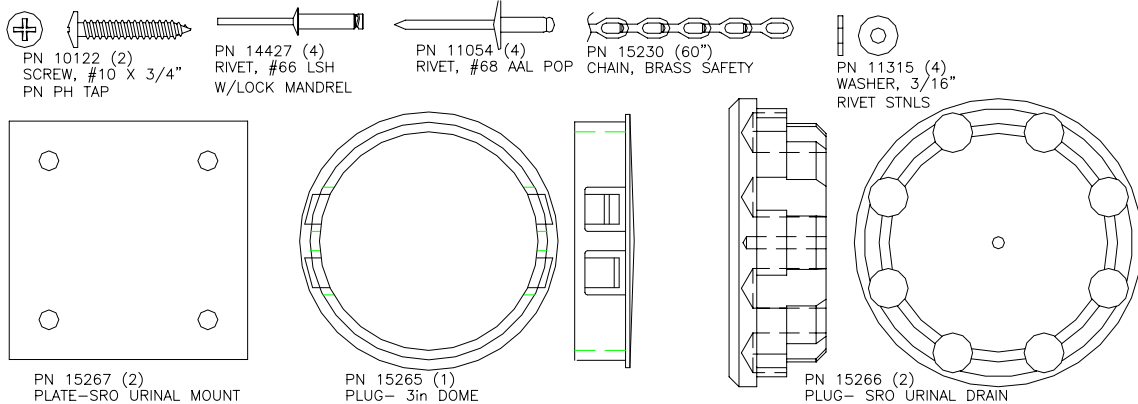


INSTRUCTION

FREEDOM 2™ TO STANDING ROOM ONLY CONVERSION KIT

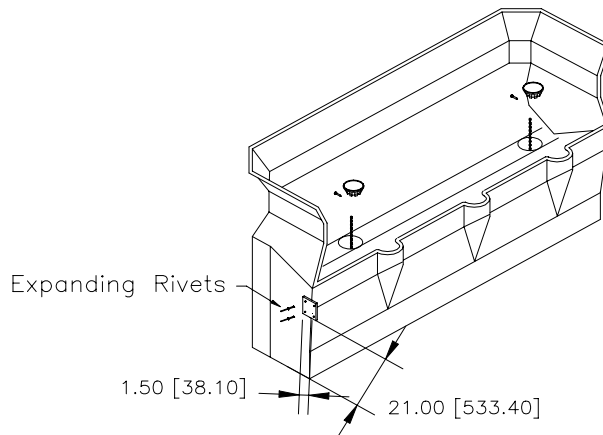
INTRODUCTION Satellite portable restrooms and accessories must be assembled according to approved assembly procedures. Variations in assembly could adversely affect product life and warranty.

HARDWARE:



TOOLS:

- DRILL ELEC/CORDLESS
 - #10 DRILL BIT
 - RIVET GUN
 - PHILLIP SCREWDRIVER
 - 3/8" HEX DRIVER BIT
1. Remove the (5) lag screws that hold the waste tank and vent pipe to the panels.
 2. Remove Paperguard if applicable.
 3. Remove the vertical handrail if applicable. (NOTE: Removal of the horizontal handrails is not necessary.)
 4. Drill (2) dimples on each end of the urinal using the 3/16" drill bit and rivet the square plastic plates to the ends of the urinal using the expanding pop rivets. See diagram for locations.
 5. Attach the chain to one of the plastic drain plugs using a #10 self-tapping screw. Turn the urinal tank on one end and push the chain into the drain opening. Seat the drain plug in the drain hole. Now, pull the chain out of the other opening and attach it to the other drain plug using another #10 self-tapping screw. Repeat this step for the other urinal.
 6. Position the urinal tanks inside the Freedom 2™ cabana and drill a 3/16" hole through the panel using the (2) holes in the plastic plates as a guide. Using the large flange aluminum rivets and backup washers, rivet tank to the panel. Repeat this step (3) more times for the other mounting plates.
 7. Place the 3" plastic cap in the vent opening in the roof.
 8. The "universal symbol of accessibility" decal SHOULD NOT be used with the urinal unit.



2530 Xenium Lane North, Minneapolis, MN 55441
Telephone: 763-553-1900 Fax: 763-553-1905
800-328-3332 / www.satelliteindustries.com