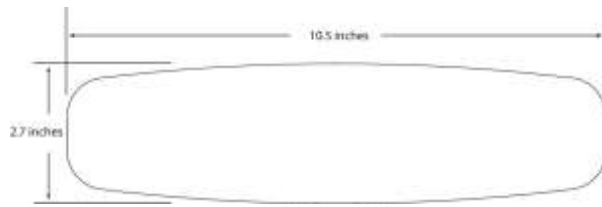
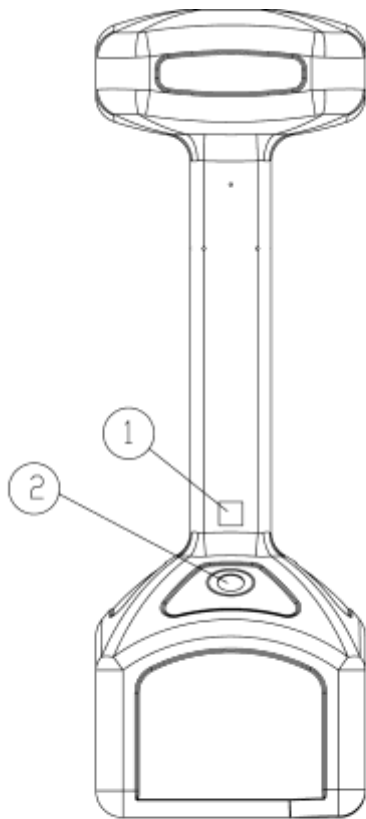
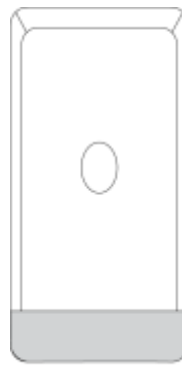


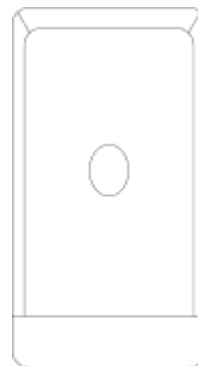
### HANDISTAND™



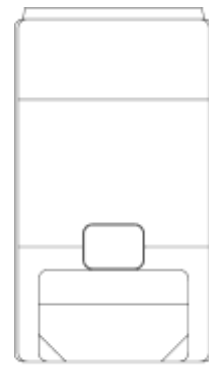
Recess Decal Dimensions  
10.5 in. x 2.7 in



20893



20894



20895



REV C ITEM #	PART#	QTY PER UNIT	DESCRIPTION	PRICE EACH
	20847	NO DISPENSERS	HANDISTAND	CALL
	20893		KIT- 800ML DISPENSER (EA) BLACK	
	20894		KIT- 1000ML DISPENSER (EA) BLACK	
	20895		KIT- FOAM DISPENSER (EA) BLACK	
1	20889	1	DECAL- HANDISTAND STABILITY	
2	21124	1	PLUG ASSY- 2in DOME W/TETHER	
	21083	4	DECAL- HANDISTAND	